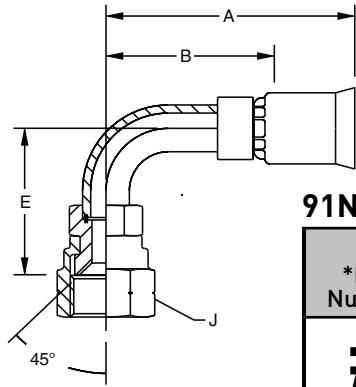


17991N SAE 45° Swivel 90° Elbow

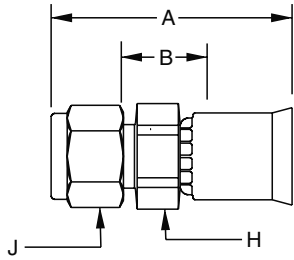


91N Series Permanent

*Part Number	C	Thread Size	Tube Size	A		Cutoff Allow. B		E		J Hex	
#											
Hose Fitting			inch	inch	inch	mm	inch	mm	inch	mm	inch
17991N-6-6	+	5/8-18	-6	3/8	2.06	52	1-5/16	49	1.19	30	3/4
17991N-12-12	+	1-1/16-14	-12	3/4	2.92	74	2-1/8	54	1.82	46	1-1/4

* Steel tube, nipple, nut and shell.
 C - All components 303 stainless steel.

1AL91N A-LOK® Compression



91N Series Permanent

Part Number (w/ nut/ferrules)	Part Number (w/o nut/ferrules)	C	Tube Size	A		Cutoff Allow. B		H Hex	J Hex	
#	#									
Hose Fitting	Hose Fitting		inch	inch	inch	mm	inch	mm	inch	inch
1AL91N-4-4 (+)	1AL91N-4-4N (+)		-4	1/4	1.30	33	7/16	11	1/2	9/16
1AL91N-4-5 (+)	1AL91N-4-5N (+)		-5	1/4	1.35	34	7/16	11	1/2	9/16
1AL91N-6-6 (+)	1AL91N-6-6N (+)		-6	3/8	1.53	39	1/2	13	5/8	11/16
1AL91N-8-8 (+)	1AL91N-8-8N (+)		-8	1/2	1.61	41	7/16	11	13/16	7/8
1AL91N-12-12 (+)	1AL91N-12-12N (+)		-12	3/4	1.86	47	1/2	13	1-1/8	1-1/8
1AL91N-16-16 (+)	1AL91N-16-16N (+)		-16	1	2.11	58	7/16	11	1-3/8	1-1/2

C - 316 stainless steel nipple, nut, ferrules; 303 stainless steel shell.

Note: Nut part No. is XNUX-316; front ferrule part No. is XFFX-316; back ferrule part No. is XBFX-316. X denotes dash size.

Please reference Instrument Tubing Selection Guide, Bulletin 4200-TS, or contact the Instrumentation Connectors Division in Huntsville, Alabama, (Phone: 256-881-2040) directly for correct installation and application information.

(+) Non Standard. See page ii for information on non-standard products.