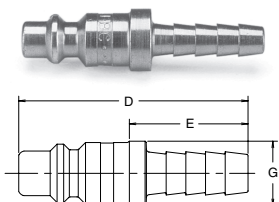


Pneumatic Quick Couplings

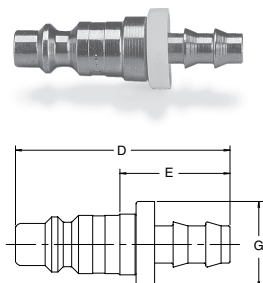
Standard Hose Barb



Body Size (in.)	Part No. Brass	Part No. Steel	Part No. Type 303 Stainless	Hose I.D.	Dimension (in.)			Wt. (LB.) P/Piece
					Overall Length	Exposed Length*	Largest Diameter	
					D	E	G	
1/4	-	H8C	SH8C	1/4	2.09	1.33	0.55	0.04
1/4	-	H8C-D	-	5/16	2.09	1.33	0.55	0.04
1/4	-	H9C	SH9C	3/8	2.09	1.33	0.55	0.05
3/8	-	H5E	-	3/8	2.19	1.24	0.62	0.07
3/8	-	H6E	-	1/2	2.19	1.24	0.68	0.08
1/2	-	H4F	-	3/8	2.53	1.29	0.68	0.10
1/2	-	H5F	-	1/2	2.53	1.29	0.68	0.11
1/2	-	H5F-G	-	3/4	3.06	1.82	0.93	0.18
3/4	-	H5G-F	-	1/2	2.47	1.31	0.93	0.19
3/4	BH5G	H5G	-	3/4	3.00	1.84	0.93	0.25
3/4	-	H5G-J	-	1	3.24	2.08	1.24	0.36

* This dimension represents portion of nipple that is exposed when nipple is inserted in a Parker 20 Series coupler.

Push-Lok Hose Barb**

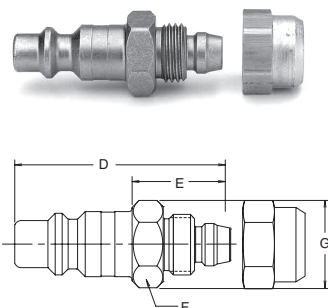


Body Size (in.)	Part No. Brass	Part No. Steel	Hose I.D.	Dimension (in.)			Wt. (LB.) P/Piece	
				Overall Length	Exposed Length*	Largest Diameter		
				D	E	G		
1/4	BH8CP	H8CP	-	1/4	1.93	1.16	0.69	0.04
1/4	-	H9CP	-	3/8	2.08	1.31	0.86	0.05
3/8	-	H4EP	-	1/4	2.02	1.08	0.69	0.06
3/8	-	H5EP	-	3/8	2.17	1.23	0.86	0.07
3/8	-	H6EP	-	1/2	2.31	1.37	0.97	0.09
1/2	-	H4FP	-	3/8	2.52	1.27	0.86	0.11
1/2	-	H5FP	-	1/2	2.66	1.42	0.97	0.11
1/2	-	H6FP	-	5/8	2.95	1.71	1.14	0.14

*This dimension represents portion of nipple that is exposed when nipple is inserted in a Parker 20 Series coupler.

**Push-Lok hose barbs are designed for use with Parker push-lok hose and do not require clamps.

NoMar™ Tube End (With Nut)



Body Size (in.)	Part No. Brass	Hose I.D.	Overall Length	Dimensions (in.)			Largest Diameter	Wt. (LB.) P/Piece
				Exposed Length*	Hex Size	G		
				D	E	F	G	
1/4	NRFNM-4-6x4-S	1/4" Tube I.D. 3/8" Tube O.D.	1.62	0.63	0.72	0.56	0.06	

*This dimension represents portion of nipple that is exposed when nipple is inserted in a Parker 20 Series coupler.

Quick Coupling Division