

## Hydraulic Quick Couplings

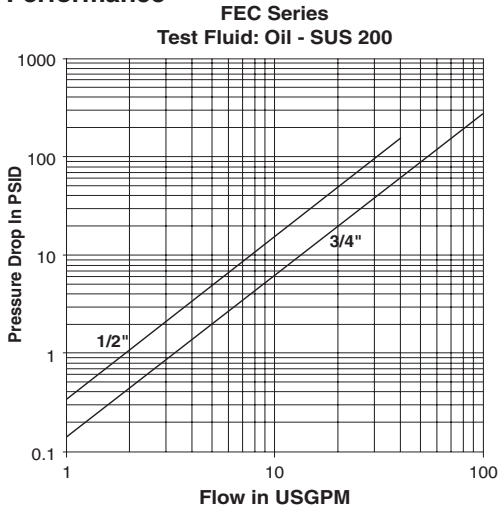
## Non-Spill Couplings FEC Series (Connect-Under-Pressure)



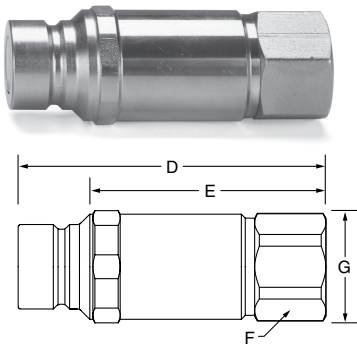
### Description

FEC Series products operate slightly different from traditional non-spill couplings. With no pressure in the coupler and up to 3000 psi of trapped pressure in the nipple, begin to couple the mating halves. Delay momentarily during connection to allow trapped pressure to equalize with the mating half before completing the connection.

### Performance



### Nipples



| Body Size (in.) | Part No.      | Mating Half | Thread Size   | Dimensions (in.) |                |          |      | Largest Diameter | Wt. (LB.) P/Piece |
|-----------------|---------------|-------------|---------------|------------------|----------------|----------|------|------------------|-------------------|
|                 |               |             |               | Overall Length   | Exposed Length | Hex Size | G    |                  |                   |
| 1/2             | FEC-502-8FP   | FE-501      | 1/2-14 NPSF   | 3.50             | 2.68           | 1.125    | 1.22 |                  |                   |
| 1/2             | FEC-502-10FO  | FE-501      | 7/8-14 UNF    | 3.50             | 2.68           | 1.125    | 1.22 |                  |                   |
| 1/2             | FEC-502-12FO  | FE-501      | 1 1/16-12 UNF | 3.79             | 2.97           | 1.500    | 1.65 |                  |                   |
| 5/8             | FEC-622-12FO  | FEM-621     | 1 1/16-12 UN  | 4.19             | 3.39           | 1.500    | 1.65 |                  |                   |
| 3/4             | FEC-752-12FO  | FEM-751     | 1 1/16-12 UN  | 4.84             | 3.76           | 1.500    | 1.65 |                  |                   |
| 1               | FEC-1002-16FP | FEM-1001    | 1-11 1/2 NPSF | 5.35             | 4.15           | 1.88     | 2.06 |                  |                   |
| 1               | FEC-1002-16FO | FEM-1001    | 1 5/16-12 UN  | 5.35             | 4.15           | 1.88     | 2.06 |                  |                   |

#### Standard Port Configurations

FP - Female Pipe Thread  
FO - Female Straight Thread

### Applications

Parker FEC Series nipple provide connect-under-pressure capability with up to 3000 psi of trapped pressure in the nipple and are ideal for applications where residual pressure makes reconnect difficult. Utilized primarily in the construction equipment market, FEC Series products are commonly found on hydraulic attachments used in skid steer applications. **The FEC Series mates with the FE and FEM Series European interface ISO 16028 couplers.**

### Features

- Connect-Under-Pressure Nipple
- Hardened Locking Surface
- Zinc Plated with Yellow Chromate Finish
- Anti Blowout BFT Seals
- Flush Face Valving

**Note:** Protective dust plugs and caps play a crucial role in the life of a quick coupling and no purchase of a hydraulic quick coupling is complete without the selection of an appropriate dust plug and cap. See pages noted in Table of Contents for dust plugs and caps for the Parker full line of hydraulic couplings.

### Specifications

| Body Size (in.)                         | 1/2   | 5/8   | 3/4   | 1     |
|---|-------|-------|-------|-------|
| Rated Pressure (PSI)                    | 3625  | 3625  | 3625  | 2900  |
| Rated Connect-Under-Pressure Capability | 3000  | 1700  | 1500  | 1000  |
| Rated Flow (GPM)                        | 12    | 20    | 26    | 50    |
| Spillage (ML) (max. per disconnect)     | 0.020 | 0.03  | 0.150 | 0.20  |
| Air Inclusion (ML) (max. per connect)   | 0.070 | 0.070 | 0.100 | 0.150 |

Quick Coupling Division