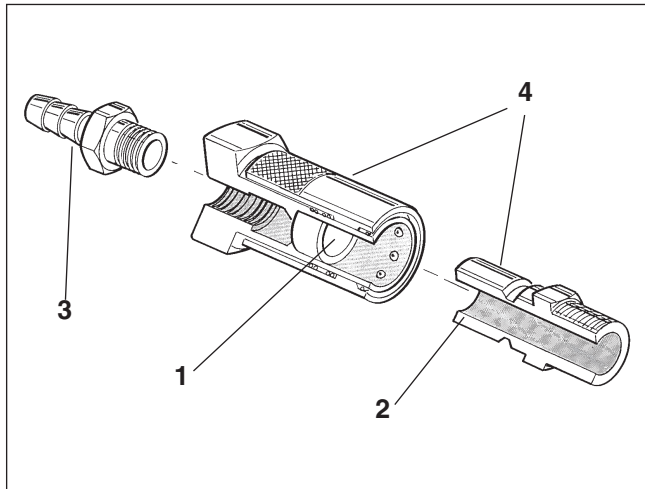


# Hydraulic Quick Couplings

## Mold Coolant Line Couplings Moldmate Series

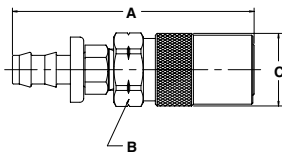
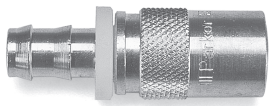


### Features

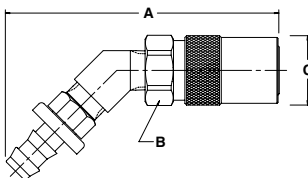
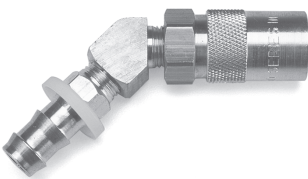
1. Available with or without valves in the coupler. Non-valved couplers have minimum flow resistance for maximum cooling. Valved couplers shut off automatically upon disconnect. Valved couplers can be used with either valved or non-valved nipples. A valved nipple, however, must be used with a valved coupler.
2. Nipples are designed to be recessed below mold surfaces to provide more efficient storage of molds and prevent damage to the nipple.
3. Widest choice of end fittings available, including straight, 45° or 90° with standard hose barb or Push-Lok bars for easy installation.
4. Couplers and nipples are made of corrosion resistant brass, and valved couplers or valved nipple have a Fluorocarbon O-ring on poppet and Silicone interface seal as standard for use with water glycol type fluids commonly used in heat transfer systems.
5. Silver sleeve designates valved coupler.

### Couplers

#### Straight



#### 45 Degree



Body Size (in.)	Part No. Brass Non-valved	Wt. (LB.) P/Piece	Part No. Brass Valved	Wt. (LB.) P/Piece	Hose I.D.	Dimensions (in.)								
						Overall Length	Hex Size	Largest Diameter	Overall Length			Hex Size Diameter		
									A	B	C	A	B	C
1/4	PC204	0.10	PC204AV	0.10	1/4	2.10	0.62	0.71	2.67	0.56	0.71			
1/4	PC204-BP*	0.10	PC204AV-BP	0.10	1/4	2.10	0.62	0.71	2.52	0.56	0.71			
1/4	PC205	0.09	PC205AV	0.10	5/16	2.10	0.62	0.71	2.67	0.56	0.71			
1/4	PC206	0.09	PC206AV	0.10	3/8	2.10	0.62	0.71	2.67	0.56	0.71			
1/4	PC206-BP*	0.11	PC206AV-BP	0.13	3/8	2.10	0.62	0.71	2.70	0.56	0.71			
3/8	PC306	0.24	PC306V	0.27	3/8	3.01	0.88	0.96	3.17	0.88	0.96			
3/8	PC306-BP*	0.26	PC306V-BP	0.29	3/8	3.15	0.88	0.96	3.31	0.88	0.96			
3/8	PC308	0.25	PC308V	0.28	1/2	3.15	0.88	0.96	3.17	0.88	0.96			
3/8	PC308-BP*	0.25	PC308V-BP	0.03	1/2	3.27	0.88	0.96	3.43	0.88	0.96			
1/2	PC504	0.46	NA	-	1/2	3.55	1.12	1.30	-	-	-			
1/2	PC504-BP*	0.50	NA	-	1/2	3.68	1.12	1.21	-	-	-			
1/2	PC506	0.48	NA	-	3/4	3.80	1.12	1.21	-	-	-			
1/2	PC506-BP*	0.52	NA	-	3/4	3.80	1.12	1.21	-	-	-			

NA = Not Available

Body Size (in.)	Part No. Brass Non-valved	Wt. (LB.) P/Piece	Part No. Brass Valved	Wt. (LB.) P/Piece	Hose I.D.	Dimensions (in.)								
						Overall Length	Hex Size	Largest Diameter	Overall Length			Hex Size Diameter		
									A	B	C	A	B	C
1/4	PC224	0.13	PC224AV	0.13	1/4	2.67	0.56	0.71	2.87	0.56	0.71			
1/4	PC224-BP*	0.13	PC224AV-BP	0.14	1/4	2.57	0.56	0.71	2.77	0.56	0.71			
1/4	PC225	0.13	PC225AV	0.13	5/16	2.69	0.56	0.71	2.89	0.56	0.71			
1/4	PC226	0.13	PC226AV	0.14	3/8	2.71	0.56	0.71	2.91	0.56	0.71			
1/4	PC226-BP*	0.26	PC226AV-BP	0.17	3/8	2.74	0.56	0.71	2.94	0.56	0.71			
3/8	PC326	0.36	PC326V	0.36	3/8	3.65	0.88	0.96	3.65	0.88	0.96			
3/8	PC326-BP*	0.34	PC326V-BP	0.36	3/8	3.75	0.88	0.96	3.75	0.88	0.96			
3/8	PC328	0.36	PC328V	0.36	1/2	3.69	0.88	0.96	3.69	0.88	0.96			
3/8	PC328-BP*	0.34	PC328V-BP	0.40	1/2	3.88	0.88	0.96	3.88	0.88	0.96			
1/2	PC524	0.74	NA	-	1/2	4.18	1.12	1.21	-	-	-			
1/2	PC524-BP*	0.78	NA	-	1/2	4.28	1.12	1.21	-	-	-			
1/2	PC526	0.76	NA	-	3/4	4.56	1.12	1.21	-	-	-			
1/2	PC526-BP*	0.80	NA	-	3/4	4.56	1.12	1.21	-	-	-			

\* Suffix BP in part number denotes Push-Lok hose barb. Without suffix denotes standard hose barb. Push-Lok hose bars are designed for use with Parker Push-Lok hose and do not require clamps. Valved Couplers can be used with either non-valved or valved nipples.

Quick Coupling Division