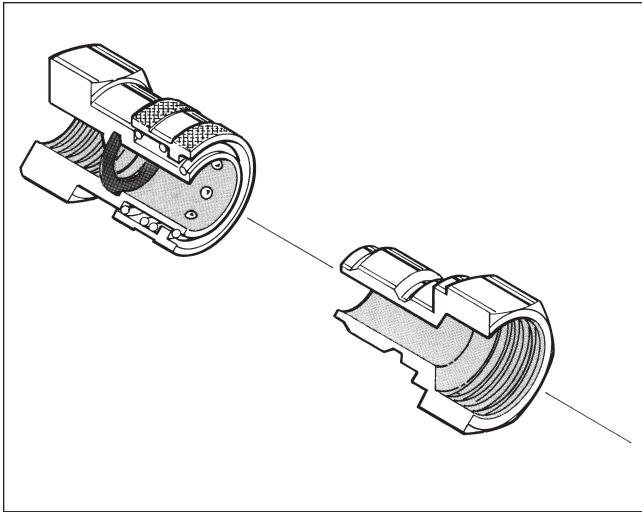


## Hydraulic Quick Couplings

## High Flow Couplings

ST Series

B Hydraulics



### Features

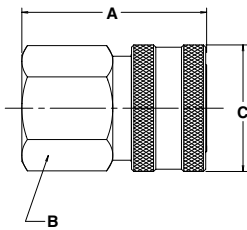
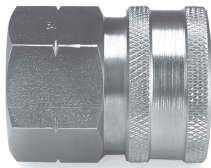
1. The smooth, open bore with no valving in either half offers minimal pressure drop and allows easy cleaning in applications where the same lines are used for more than one media.
2. ST couplers and nipples are machined from solid barstock, providing a quality coupling that is durable. ST couplers are available in brass and 303 stainless steel as standard product materials.
3. ST nipples are available in 303 stainless steel, brass and zinc-plated steel. The ball locking grooves of the steel ST nipples are case hardened for resistance to brinelling where high cycle rates and pressure surges are encountered.
4. The ST is an "Interchange" coupling since it dimensionally and functionally interchanges with similar couplings made by other manufacturers.

### Special Order Information

All sizes of ST Series can be furnished with locking sleeves. Place suffix letters "SL" (Sleeve-Lok) after regular catalog numbers. Example: SST-4MSL. Standard seal material is Buna-N (Nitrile). Ethylene Propylene, Fluorocarbon, or Neoprene seals are available upon request. See Fluid Compatibility Chart for recommendations.

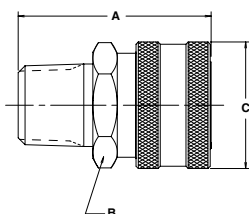
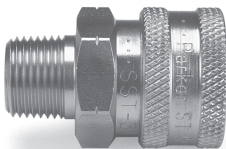
### Couplers

#### Female Pipe Thread



| Body Size (in.) | Part No. Brass | Wt. (LB.) P/Piece | Part No. Type 303 Stainless | Wt. (LB.) P/Piece | Thread Size NPTF | Dimensions (in.) |              |                  |
|-----------------|----------------|-------------------|-----------------------------|-------------------|------------------|------------------|--------------|------------------|
|                 |                |                   |                             |                   |                  | Overall Length   | Wrench Flats | Largest Diameter |
|                 |                |                   |                             |                   |                  | A                | B            | C                |
| 1/8             | BST-1          | 0.06              | SST-1                       | 0.05              | 1/8-27           | 1.06             | 0.56         | 0.69             |
| 1/4             | BST-2          | 0.17              | SST-2                       | 0.15              | 1/4-18           | 1.54             | 0.81         | 0.94             |
| 3/8             | BST-3          | 0.26              | SST-3                       | 0.24              | 3/8-18           | 1.59             | 1.00         | 1.16             |
| 1/2             | BST-4          | 0.59              | SST-4                       | 0.37              | 1/2-14           | 1.98             | 1.13         | 1.30             |
| 3/4             | BST-6          | 0.62              | SST-6                       | 0.57              | 3/4-14           | 2.15             | 1.44         | 1.66             |
| 1               | BST-8          | 0.99              | SST-8                       | 0.93              | 1-11 1/2         | 2.43             | 1.75         | 2.02             |
| 1-1/4           | BST-10         | 1.38              | -                           | -                 | 1 1/4-11 1/2     | 2.44             | 2.00         | 2.51             |
| 1-1/2           | BST-12         | 1.42              | -                           | -                 | 1 1/2-11 1/2     | 2.88             | 2.50         | 3.00             |

#### Male Pipe Thread



| Body Size (in.) | Part No. Brass | Wt. (LB.) P/Piece | Part No. Type 303 Stainless | Wt. (LB.) P/Piece | Thread Size NPTF | Dimensions (in.) |              |                  |
|-----------------|----------------|-------------------|-----------------------------|-------------------|------------------|------------------|--------------|------------------|
|                 |                |                   |                             |                   |                  | Overall Length   | Wrench Flats | Largest Diameter |
|                 |                |                   |                             |                   |                  | A                | B            | C                |
| 1/8             | BST-1M         | 0.05              | SST-1M                      | 0.05              | 1/8-27           | 1.06             | 0.56         | 0.69             |
| 1/4             | BST-2M         | 0.16              | SST-2M                      | 0.16              | 1/4-18           | 1.69             | 0.81         | 0.81             |
| 3/8             | BST-3M         | 0.25              | SST-3M                      | 0.21              | 3/8-18           | 1.75             | 1.00         | 1.16             |
| 1/2             | BST-4M         | 0.34              | SST-4M                      | 0.31              | 1/2-14           | 1.94             | 1.13         | 1.30             |
| 3/4             | BST-6M         | -                 | SST-6M                      | 0.49              | 3/4-14           | 2.17             | 1.44         | 1.66             |
| 1               | BST-8M         | 0.85              | SST-8M                      | 0.08              | 1-11 1/2         | 2.53             | 1.75         | 2.02             |

Quick Coupling Division

**GOODYEAR**  
RUBBER PRODUCTS INC.

Call Toll Free: **1-866-711-4673**

WebSales@GoodyearRubberProducts.com

**We Ship  
World Wide**