

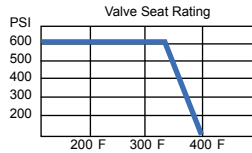
4043 SERIES, 4042 SERIES

**FULL PORT FORGED BRASS BALL VALVE
IPS UNION x IPS x HI-FLOW HOSE DRAIN
(600 WOG/150 WSP)
w/REVERSIBLE HANDLE - ISO 9001**



PATENT PENDING

Designed for residential, commercial and industrial use with water, oil or gas. Designed by Webstone for the PRO-PAL® series of valves, this approved Webstone valve saves time and money when installed in any system that requires a drain. Ideal for use directly before and/or after any plumbing component to isolate it and allow for draining the system. Heavy duty forged brass body. Hard chrome plated brass balls with Teflon® seats. The valve is actuated by a blowout proof stems with a Teflon® seals that feature adjustable packing nuts. Vinyl coated stamped steel handle and an epoxy coated aluminum handle. Lever handle is reversible.



all Teflon® seated valves
Maximum Temperature is 400°F @ 100 PSI*

PRESSURE RATING

600 WOG non-shock
150 WSP

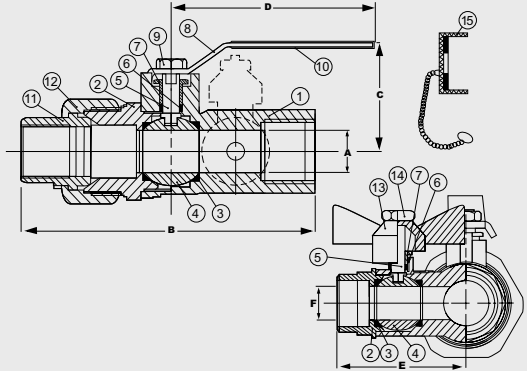
1. Threaded ends comply with ANSI B1 20.1
2. Hose end complies with ANSI B1.20.7
3. Teflon® seats withstand temperatures from -40°F to 400°F
4. Conforms to Federal Spec. WW35C
5. Manufactured in an ISO 9001 facility

PRO-PAL® is a registered trademark of Webstone Company Inc.
Teflon® is a registered trademark of Dupont.

THIS SPACE FOR DESIGNER / ENGINEER APPROVAL

Job/Customer _____	Date _____	Contractor _____
Model Specified _____	Qty _____	Approved By _____
Designer/Engineer _____	Date _____	Contractor's PO # _____
Submitted by _____	Date _____	Other _____

1. BODY	FORGED BRASS (ASTM B283-C37700)
2. END CAP	FORGED BRASS (ASTM B283-C37700)
3. SEATS	TEFLON® (PTFE)
4. BALL	BRASS / HARD CHROME PLATE
5. STEM	BRASS (ASTM B124-C37700)
6. STEM SEAL	TEFLON® (PTFE)
7. PACKING GLAND	BRASS (ASTM B124-C37700)
8. LEVER HANDLE	C.P. STEEL
9. HANDLE NUT	BRASS PLATED STEEL
10. HANDLE JACKET	VINYL GRIP
11. UNION FITTING	BRASS (ASTM B124-C37700)
12. UNION NUT	BRASS (ASTM B124-C37700)
13. DRAIN VALVE HANDLE	ZINC w/EPOXY COATING
14. DRAIN VALVE HANDLE NUT	BRASS PLATED STEEL
15. CAP + CHAIN	BRASS (ASTM B124-C37700) w/NBR HOSE WASHER (4043 SERIES ONLY)



ITEM	SIZE	CTN/CS	A	B	C	D	E	F
40433	3/4	8/32	3/4	4 1/4	1 1/8	4	2 1/16	1/2
40434	1	6/24	1	4 7/8	1 3/8	4 11/16	2 1/2	1/2
40435	1 1/4	2/16	1 1/4	5 1/4	2 1/2	4 11/16	2 3/4	3/4
40436	1 1/2	2/16	1 1/2	5 5/8	3 7/8	5 3/8	3	3/4

ITEM	SIZE	CTN/CS	A	B	C	D	C _v
40423	3/4	10/60	3/4	3 1/2	2 1/4	3 3/16	27.01
40424	1	6/48	15/16	4 1/8	3	4 9/16	49.30
40425	1 1/4	2/16	1 1/4	4 1/2	3 3/16	4 1/2	114.03
40426	1 1/2	2/16	1 1/2	5	3 9/16	5 5/8	161.30

Cv: The number of gallons of water per minute that pass through the valve at a 1lb pressure drop.

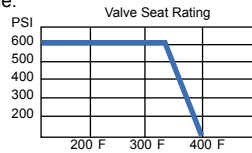
5043 SERIES, 5042 SERIES

**FULL PORT FORGED BRASS BALL VALVE
IPS UNION x SWT x HI-FLOW HOSE DRAIN
(600 WOG/150 WSP)
w/REVERSIBLE HANDLE - ISO 9001**



PATENT PENDING

Designed for residential, commercial and industrial use with water, oil or gas. Designed by Webstone for the PRO-PAL® series of valves, this approved Webstone valve saves time and money when installed in any system that requires a drain. Ideal for use directly before and/or after any plumbing component to isolate it and allow for draining the system. Heavy duty forged brass body. Hard chrome plated brass balls with Teflon® seats. The valve is actuated by a blowout proof stems with a Teflon® seals that feature adjustable packing nuts. Vinyl coated stamped steel handle and an epoxy coated aluminum handle. Lever handle is reversible.



all Teflon® seated valves
Maximum Temperature is 400°F @ 100 PSI*

PRESSURE RATING

600 WOG non-shock
150 WSP

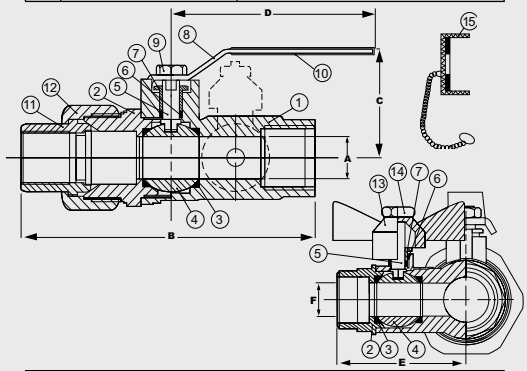
1. Threaded ends comply with ANSI B1 20.1
2. Solder end complies with ANSI B16.18
3. Hose end complies with ANSI B1.20.7
4. Teflon® seats withstand temperatures from -40°F to 400°F
5. Conforms to Federal Spec. WW35C
6. Manufactured in an ISO 9001 Facility

PRO-PAL® is a registered trademark of Webstone Company Inc.
Teflon® is a registered trademark of Dupont.

THIS SPACE FOR DESIGNER / ENGINEER APPROVAL

Job/Customer _____	Date _____	Contractor _____
Model Specified _____	Qty _____	Approved By _____
Designer/Engineer _____	Date _____	Contractor's PO # _____
Submitted by _____	Date _____	Other _____

1. BODY	FORGED BRASS (ASTM B283-C37700)
2. END CAP	FORGED BRASS (ASTM B283-C37700)
3. SEATS	TEFLON® (PTFE)
4. BALL	BRASS / HARD CHROME PLATE
5. STEM	BRASS (ASTM B124-C37700)
6. STEM SEAL	TEFLON® (PTFE)
7. PACKING GLAND	BRASS (ASTM B124-C37700)
8. LEVER HANDLE	C.P. STEEL
9. HANDLE NUT	BRASS PLATED STEEL
10. HANDLE JACKET	VINYL GRIP
11. UNION FITTING	BRASS (ASTM B124-C37700)
12. UNION NUT	BRASS (ASTM B124-C37700)
13. DRAIN VALVE HANDLE	ZINC w/EPOXY COATING
14. DRAIN VALVE HANDLE NUT	BRASS PLATED STEEL
15. CAP + CHAIN	BRASS (ASTM B124-C37700) w/NBR HOSE WASHER (5043 SERIES ONLY)



ITEM	SIZE	CTN/CS	A	B	C	D	E	F
50433	3/4	8/32	3/4	4 1/2	2 1/10	4	2 1/16	1/2
50434	1	6/24	1	4 1/5	2 3/8	4 11/16	2 1/2	1/2
50435	1 1/4	2/16	1 1/4	5 3/4	2 1/2	4 11/16	2 3/4	3/4
50436	1 1/2	2/16	1 1/2	6 1/16	2 7/8	5 3/8	3	3/4

ITEM	SIZE	CTN/CS	A	B	C	D	C _v
50423	3/4	15/60	3/4	3 3/4	2 1/4	3 13/16	27.01
50424	1	10/40	15/16	3 3/4	2 11/16	4 5/8	49.30
50425	1 1/4	6/24	1 1/4	4 1/2	3 3/16	4 9/16	114.03
50426	1 1/2	2/16	1 1/2	5	3 9/16	5 5/8	161.30