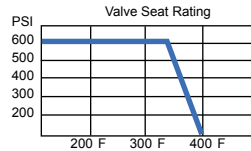


4031 SERIES

**FULL PORT FORGED BRASS BALL VALVES
FIP x HOSE - (600 WOG/150 WSP)
w/REVERSIBLE HANDLE - ISO 9001**

Designed for residential, commercial and industrial use with water, oil or gas. Heavy duty forged brass body. Extra hard chrome plated solid brass ball with Teflon® seats. This approved Webstone valve is actuated by a blowout proof stem with a Teflon® seal and features an adjustable packing gland. Vinyl coated stamped steel handle. Hose end-cap with chain.



all Teflon® seated valves
Maximum Temperature is 400°F @ 100 PSI

PRESSURE RATING
600 WOG non-shock
150 WSP

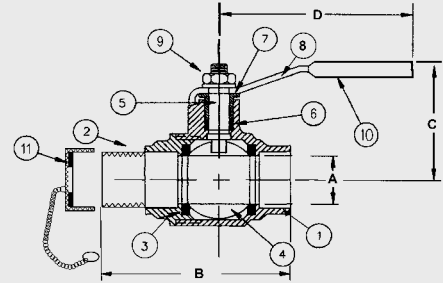
1. Conforms to Federal Spec. WWV-35C
2. Threaded ends comply with ANSI B1.20.1
3. Hose thread ends comply with ANSI B1.20.7
3. Teflon® seats withstand temperatures from -40°F to 400°F
4. Manufactured in an ISO 9001 facility

Teflon® is a registered trademark of Dupont.

THIS SPACE FOR DESIGNER / ENGINEER APPROVAL

Job/Customer _____	Date _____	Contractor _____
Model Specified _____	Qty _____	Approved By _____
Designer/Engineer _____	Date _____	Contractor's PO # _____
Submitted by _____	Date _____	Other _____

1. BODY	FORGED BRASS (ASTM B283-C37700)
2. END CAP	FORGED BRASS (ASTM B283-C37700)
3. SEATS	TEFLON® (PTFE)
4. BALL	BRASS/HARD CHROME PLATE
5. STEM	BRASS (ASTM B124-C37700)
6. STEM SEAL	TEFLON® (PTFE)
7. PACKING GLAND	BRASS (ASTM B124-C37700)
8. LEVER HANDLE	C.R. STEEL
9. NUT	C.R. STEEL
10. HANDLE JACKET	VINYL GRIP
11. CAP AND CHAIN	BRASS (ASTM B124-C37700) w/NBR HOSE WASHER



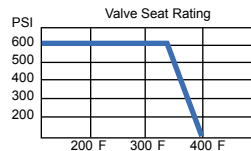
ITEM	SIZE	CTN/CS	A	B	C	D	Cv
40312	1/2	10/60	9/16	2 3/8	1 7/8	3 9/16	11.47
40313	3/4	10/60	3/4	2 9/16	1 7/8	4 1/16	27.01

Cv = The number of gallons of water per minute that pass through the valve at a 1lb pressure drop.

5031 SERIES

**FULL PORT FORGED BRASS BALL VALVES
SWTxHOSE (600 WOG/150 WSP)
w/REVERSIBLE HANDLE - ISO 9001**

Designed for residential, commercial and industrial use with water, oil or gas. Heavy duty forged brass body. Extra hard chrome plated solid brass ball with Teflon® (PTFE) seats. This approved Webstone valve is actuated by a blowout proof stem with a Teflon® (PTFE) seal and features an adjustable packing gland. Vinyl coated stamped steel handle. Hose end-cap with chain.



all Teflon® seated valves
Maximum Temperature is 400°F @ 100 PSI

PRESSURE RATING
600 WOG non-shock
150 WSP

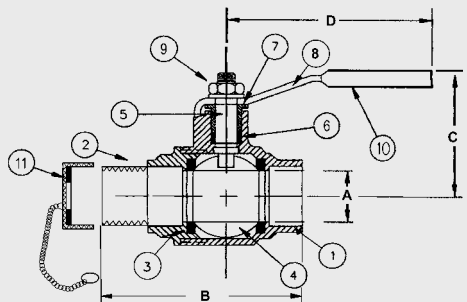
1. Conforms to Federal Spec. WWV-35C
2. Solder end comply with ANSI B16.18
3. Hose thread ends comply with ANSI B1 20.7
4. Teflon® seats withstand temperatures from -40°F to 400°F
5. Manufactured in an ISO 9001 Facility

Teflon® is a registered trademark of Dupont.

THIS SPACE FOR DESIGNER / ENGINEER APPROVAL

Job/Customer _____	Date _____	Contractor _____
Model Specified _____	Qty _____	Approved By _____
Designer/Engineer _____	Date _____	Contractor's PO # _____
Submitted by _____	Date _____	Other _____

1. BODY	FORGED BRASS (ASTM B283-C37700)
2. END CAP	FORGED BRASS (ASTM B283-C37700)
3. SEATS	TEFLON® (PTFE)
4. BALL	BRASS/HARD CHROME PLATE
5. STEM	BRASS (ASTM B124-C37700)
6. STEM SEAL	TEFLON® (PTFE)
7. PACKING GLAND	BRASS (ASTM B124-C37700)
8. HANDLE	C.R. STEEL
9. NUT	C.R. STEEL
10. HANDLE JACKET	VINYL GRIP
11. CAP AND CHAIN	BRASS (ASTM B124-C37700) w/NBR HOSE WASHER



ITEM	SIZE	CTN/CS	A	B	C	D	Cv
50312	1/2	10/60	9/16	2 1/2	1 7/8	3 9/16	11.47
50313	3/4	10/60	3/4	2 9/16	2 1/8	3 5/16	27.01