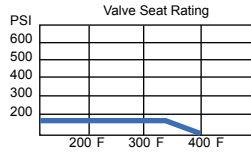


2256 SERIES

**FORGED BRASS GAS BALL VALVES
IPS - ISO 9001**

Designed for residential use with natural, manufactured, mixed, liquified petroleum and LP gas/air mixtures. Forged brass body. Hard chrome plated solid brass ball with Teflon® seats. This approved Webstone valve is actuated by a blowout proof stem and sealed with Teflon®. Handle is zinc diecast.



a) Teflon® seated valves
Maximum Temperature is 400°F @ 100 PSI

PRESSURE RATING
1/2 WOG to 175 WOG

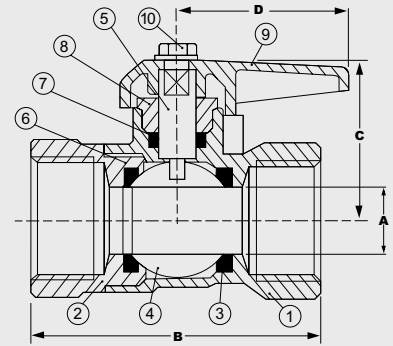
1. CGA design certified.
2. UL listed.
3. Conforms to Federal Spec. WWV-35C
4. Threaded ends comply with ANSI B1.20.1
5. Teflon® seats withstand temperatures from -40°F to 400°F
6. Manufactured in an ISO 9001 Facility

Teflon® is a registered trademark of Dupont.

THIS SPACE FOR DESIGNER / ENGINEER APPROVAL

Job/Customer _____	Date _____	Contractor _____
Model Specified _____	Qty _____	Approved By _____
Designer/Engineer _____	Date _____	Contractor's PO # _____
Submitted by _____	Date _____	Other _____

1. BODY	BRASS (ASTM B283-C37700)
2. END CAP	BRASS (ASTM B283-C37700)
3. SEATS	TEFLON® (PTFE)
4. BALL	BRASS / HARD CHROME PLATE
5. STEM	BRASS (ASTM B124-C37700)
6. THRUST WASHER	TEFLON® (PTFE)
7. STEM SEAL	TEFLON® (PTFE)
8. PACKING GLAND	BRASS (ASTM B124-C37700)
9. LEVER HANDLE	ZINC w/EPOXY COATING
10. HANDLE NUT	BRASS (ASTM B124-C37700)

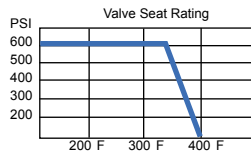


ITEM	SIZE	CTN/CS	A	B	C	D
22561	3/8	10/100	1/8	1 13/16	1 1/8	1 3/4
22562	1/2	10/100	1/8	1 13/16	1 1/8	1 3/4
22563	3/4	10/100	1/4	1 15/16	1 1/8	1 3/4

2152 SERIES & 2252 SERIES

**FORGED BRASS GAS BALL VALVES
FLARE x FIP - ISO 9001**

Designed for residential use with natural, manufactured, mixed, liquified petroleum and LP gas/air mixtures. Forged brass body. Hard chrome plated solid brass ball with Teflon® seats. This approved Webstone valve is actuated by a blowout proof stem and sealed with Teflon®. Handle is zinc diecast.



a) Teflon® seated valves
Maximum Temperature is 400°F @ 100 PSI

PRESSURE RATING
600 WOG
150 WSP

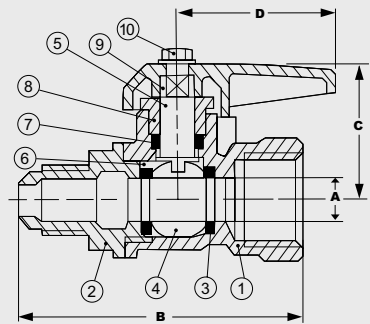
1. CGA design certified.
2. UL listed.
3. CSA (Canadian Standards Association) Meets both Canadian and US standards for use with petroleum and natural gas mixtures
3. Conforms to Federal Spec. WWV-35C
4. Threaded ends comply with ANSI B1.20.1
5. Teflon® seats withstand temperatures from -40°F to 400°F
6. Manufactured in an ISO 9001 Facility

Teflon® is a registered trademark of Dupont.

THIS SPACE FOR DESIGNER / ENGINEER APPROVAL

Job/Customer _____	Date _____	Contractor _____
Model Specified _____	Qty _____	Approved By _____
Designer/Engineer _____	Date _____	Contractor's PO # _____
Submitted by _____	Date _____	Other _____

1. BODY	BRASS (ASTM B283-C37700)
2. END CAP	BRASS (ASTM B283-C37700)
3. SEATS	TEFLON® (PTFE)
4. BALL	BRASS/HARD CHROME PLATE
5. STEM	BRASS (ASTM B124-C37700)
6. THRUST WASHER	TEFLON® (PTFE)
7. STEM SEAL	TEFLON® (PTFE)
8. PACKING GLAND	BRASS (ASTM B124-C37700)
9. LEVER HANDLE	ZINC w/EPOXY COATING
10. HANDLE NUT	BRASS (ASTM B124-C37700)



ITEM	SIZE	CTN/CS	A	B	C	D
21526	5/8 FLR x 3/4 FIP	12/144	1/4	1 13/16	1 1/8	1 3/4
22521	3/8 FLR x 1/2 FIP	10/100	1/4	1 13/16	1 1/8	1 3/4
22522	1/2 FLR x 1/2 FIP	10/100	1/4	1 15/16	1 1/8	1 3/4