

0382 SERIES

**FULL PORT PVC BALL VALVES
SOCKET ENDS**

**FITS BOTH SCHEDULE 40
& SCHEDULE 80 PIPE**

Designed for residential and commercial use with water. Heavy duty polyvinyl chloride body. Solid PVC ball with Santoprene® seats. This approved Webstone valve is actuated by a blowout proof ball/stem one piece design with a Viton® seal. Not suitable for use with potable water. Ideal for irrigation and swimming pool applications. Fits both Schedule 40 and Schedule 80 pipe.



1/2" - 2"

2 1/2" - 6"

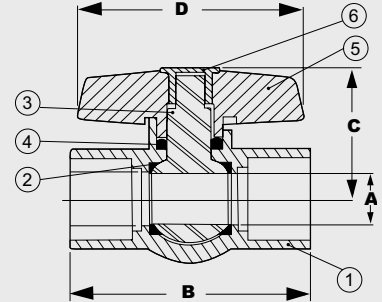
PRESSURE RATING
150 WOG non-shock @ 72°
MAX TEMP 140°

Santoprene® is a registered trademark of Monsanto.

THIS SPACE FOR DESIGNER / ENGINEER APPROVAL

Job/Customer _____	Date _____	Contractor _____
Model Specified _____	Qty _____	Approved By _____
Designer/Engineer _____	Date _____	Contractor's PO # _____
Submitted by _____	Date _____	Other _____

1.	BODY	PVC (WHITE)
2.	SEATS	SANTOPRENE®
3.	BALL/STEM	PVC
4.	O-RING	VITON®
5.	HANDLE	ABS (RED)
6.	HANDLE CAP	ABS (RED)



ITEM	SIZE	CTN/CS	A	B	C	D
03822	1/2	1/24	1/2	3 1/8	2	2 5/8
03823	3/4	1/24	3/4	3 1/2	2 1/4	3 1/16
03824	1	1/24	1	4	2 3/8	3 1/2
03825	1 1/4	1/12	1 1/4	4 3/8	2 3/4	4 1/8
03826	1 1/2	1/12	1 1/2	5 3/16	3 1/4	4 5/16
03827	2	1/12	2	5 7/8	3 1/4	5 1/2
03828	2 1/2	1/16	2 1/2	8 1/2	4 1/2	6 5/8
03829	3	1/6	3	8 1/2	5	6 5/8
03830	4	1/4	4	12	6	8 1/2
03831	6	1/1	5 1/8	16	7	10 3/8

0392 SERIES

**FULL PORT PVC BALL VALVES -
THREADED ENDS**

**FITS BOTH SCHEDULE 40
& SCHEDULE 80 PIPE**

Designed for residential and commercial use with water. Heavy duty polyvinyl chloride body. Solid PVC ball with Santoprene® seats. This approved Webstone valve is actuated by a blowout proof ball/stem one piece design with a Viton® seal. Not suitable for use with potable water. Ideal for irrigation and swimming pool applications. Fits both Schedule 40 and Schedule 80 pipe.



PRESSURE RATING
150 WOG non-shock @ 72°
MAX TEMP 140°

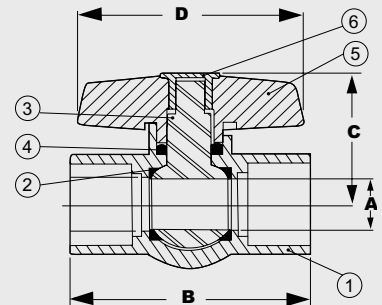
Threaded ends comply with ANSI B1 20.1

Santoprene® is a registered trademark of Monsanto.

THIS SPACE FOR DESIGNER / ENGINEER APPROVAL

Job/Customer _____	Date _____	Contractor _____
Model Specified _____	Qty _____	Approved By _____
Designer/Engineer _____	Date _____	Contractor's PO # _____
Submitted by _____	Date _____	Other _____

1.	BODY	PVC (WHITE)
2.	SEATS	SANTOPRENE®
3.	BALL/STEM	PVC
4.	O-RING	VITON®
5.	HANDLE	ABS (RED)
6.	HANDLE CAP	ABS (RED)



ITEM	SIZE	CTN/CS	A	B	C	D
03922	1/2	1/24	1/2	3	1 3/4	1 3/4
03923	3/4	1/24	3/4	3 1/2	2 1/4	3
03924	1	1/24	1/1	4 1/4	2 3/4	4
03925	1 1/4	1/12	1 1/4	4 1/2	2 7/8	4 3/8
03926	1 1/2	1/12	1 1/2	5	3	4 1/4
03927	2	1/12	2	6	3 1/4	5 1/2