

0372 SERIES

**FULL PORT CPVC BALL VALVES - SOCKET ENDS
MADE w/NSF CERTIFIED POLYMER
(FITS BOTH SCHEDULE 40 + 80 PIPE) (125 WOG)**

Designed for residential and commercial use with water. Heavy duty CPVC body. Solid CPVC ball with Santoprene® seats. This approved Webstone valve is actuated by a blowout proof stem with a Viton® seal. CPVC is for use with potable water.

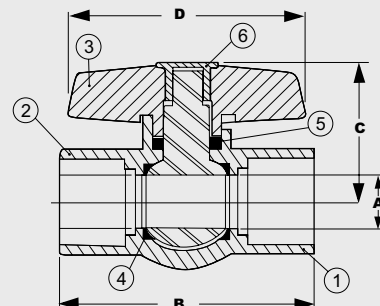


PRESSURE RATING
125 WOG non-shock

Santoprene® is a registered trademark of Monsanto.

THIS SPACE FOR DESIGNER / ENGINEER APPROVAL			
Job/Customer _____	Date _____	Contractor _____	
Model Specified _____	Qty _____	Approved By _____	
Designer/Engineer _____	Date _____	Contractor's PO # _____	
Submitted by _____	Date _____	Other _____	

1.	BODY	CPVC (IVORY)
2.	BALL/STEM	CPVC
3.	TEE HANDLE	ABS (RED)
4.	SEATS	SANTOPRENE®
5.	O-RING	VITON®
6.	HANDLE CAP	ABS



ITEM	SIZE	CTN/CS	A	B	C	D
03722	1/2	1/100	1/2	2 5/8	1 1/2	2 5/16
03723	3/4	1/100	3/4	3 1/4	1 7/8	2 3/4
03724	1	1/100	1	3 3/4	2 1/4	3 5/8
03725	1 1/4	1/100	1 1/4	4 3/16	3	4
03726	1 1/2	1/48	1 1/2	4 1/2	2 5/8	4
03727	2	1/48	2	5 5/8	3 1/8	4 1/4

0460 SERIES

**FULL PORT TRUE UNION PVC BALL VALVES
INCLUDES BOTH IPS and SOCKET ENDS**

Designed for residential and commercial use with water. Heavy duty PVC body. Solid PVC ball with EPDM seats. This approved Webstone valve is actuated by a blowout proof stem with a Viton® seal. This valve is shipped with both threaded and solvent ends. The double union configuration allows for easy in-line replacement or repair. Fits both Schedule 40 and Schedule 80 PVC pipe. Not for use with potable water.

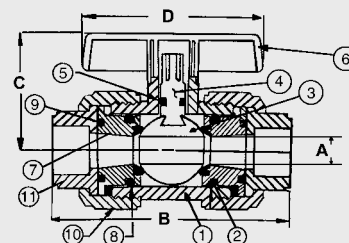


PRESSURE RATING
125 WOG non-stock
not for use with steam

Threaded ends comply with ANSI B1.20.1

THIS SPACE FOR DESIGNER / ENGINEER APPROVAL			
Job/Customer _____	Date _____	Contractor _____	
Model Specified _____	Qty _____	Approved By _____	
Designer/Engineer _____	Date _____	Contractor's PO # _____	
Submitted by _____	Date _____	Other _____	

1.	BODY	PVC (GRAY)
2.	BALL	PVC
3.	CARRIER	PVC
4.	END CONNECTOR	PVC
5.	UNION NUT	PVC
6.	SEAT	EPDM
7.	TEE HANDLE	ABS (RED)
8.	STEM	PVC
9.	FACE O-RING	VITON®
10.	CARRIER O-RING	VITON®
11.	STEM O-RING	VITON®



ITEM	SIZE	CTN/CS	A	B	C	D
04602	1/2	1/24	1/2	3 1/2	2 1/4	2 5/8
04603	3/4	1/24	3/4	3 3/4	2 3/8	3
04604	1	1/24	1	4 1/4	2 9/16	3 3/8
04605	1 1/4	1/12	1 1/4	5 1/4	2 7/8	4 1/2
04606	1 1/2	1/12	1 1/2	5 1/2	3 1/2	4 1/4
04607	2	1/12	2	6	3 3/4	5 3/16