



40443
Isolator® EXP™
with IPS
Connection



50443
Isolator® EXP™
with SWEAT
Connection

40443 (IPS SET) 40653(HOT) & 40663(COLD)
50443 (SWT SET) 50653(HOT) & 50663(COLD)
FULL PORT FORGED BRASS TANKLESS
WATER HEATER ISOLATION VALVES
(600 WOG) - ISO 9001

ADAPTER KIT

for use with Recessed Boxes & Pipe Covers



28003
FULL PORT
FORGED BRASS
PRESSURE RELIEF
RELOCATION FITTING

- To be used in conjunction with standard EXP Valve Set
- Adjustable pressure relief valve outlet
- Kit Includes: Adapter, Outlet Plug, & Rubber Washer

Note: This kit allows repositioning of the pressure relief valve outlet and it also provides flexible installation in tight quarters.



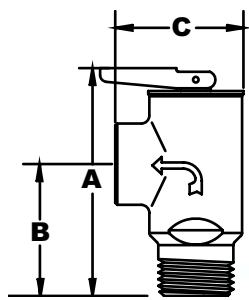
EASY AS 1, 2, 3.

1. Remove union with red insulating ring from hot water valve. Thread adapter fitting with washer onto the connection where the union was. Position pressure relief outlet on fitting to allow ample room for relief valve and tighten connection securely.
2. Thread union nut with insulating ring onto top of adapter fitting.
3. Using Teflon® tape or pipe dope, thread the 3/4" plug (included in kit) into the existing pressure relief outlet of the EXP hot water valve (pipe dope or Teflon® tape are not required on unions because both are sealed with rubber washers.)

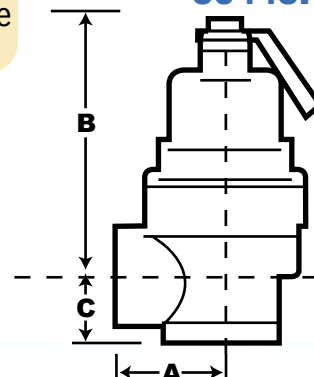
EXP KITS WITH PRESSURE RELIEF VALVE OPTIONS

Standard Kit
 with 150 PSI/200,000 BTU
40443PR - IPS
50443PR - SWT

Order these item numbers and your valve set will include a pressure relief valve



High-output Kit
 with 150 PSI/2,703,000 BTU
 and 3/4" Close Nipple
40443PR2 - IPS
50443PR2 - SWT



EXP: EASY, XTRA, PROTECTION

EASY – Easy two step installation of your tankless water heater with unsurpassed safety, features and benefits. This is a complete inlet/outlet valve system that provides everything you need for a secure installation including full port testing of the system and easy to install union connections. Flushing the heater to remove lime or scaling is as easy as 1, 2, 3.

XTRA – Extra features like a full port for full flow through-out the valve including a full port outlet for purging and testing the system and the ability to drain your hot and cold water lines throughout the building or just at the water heater with a quick quarter turn. It also features an outlet for your pressure relief valve. This unique one-piece design is so innovative it has a Patent Pending.

PROTECTION – Protection for the life of your system. Emergencies are handled with quick quarter turn ball valve shut-offs for total isolation of your system in seconds. Repair or replace your heater in minutes with easy-fit union style connections that do not disturb your piping system. You are also protected by the best warranty in the business, the Web Warranty guaranteeing you a lifetime of trouble free service.

Teflon® is a registered trademark of Dupont.