



MODEL NO. 87180
C.P. KITCHEN FAUCET
SINGLE CONTROL LOOP HANDLE

WASHERLESS DESIGN
CHROME PLATED FINISH
ALL BRASS WATERWAYS
METAL LOOP HANDLE
WATER SAVING DESIGN
MAXIMUM FLOW RATE: 2.0 GPM AT 60 PSI
ADA COMPLIANT
LIMITED LIFETIME WARRANTY

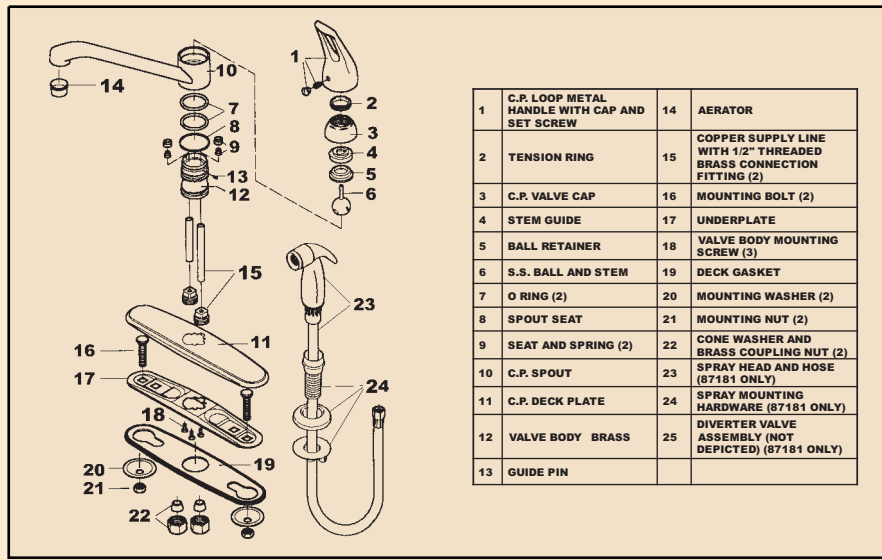
COMPLIES WITH
NSF61-9

~~MODEL NO. 87181~~
INCLUDES HOSE AND SPRAY (DEPICTED WITH SPRAY HEAD)

KITCHEN

CONTEMPORARY STYLING WITH REPLACEABLE PARTS THAT ARE INTERCHANGEABLE WITH SIMILAR NATIONAL BRANDS. HEAVY METAL CONSTRUCTION WITH CHROME PLATED MOUNTING DECK IS IDEAL FOR BOTH RESIDENTIAL AND COMMERCIAL USE. 87181 INCLUDES A HAND HELD SPRAY UNIT WITH MOUNTING HARDWARE. THIS MODEL IS DESIGNED TO MATCH AREA DÉCOR WHEN USED WITH LAVATORY FAUCET 87142 OR 87143 ON PAGE 2 AND THE PRESSURE BALANCE TUB & SHOWER VALVE 61111 ON PAGE 8.

MAXIMUM HEIGHT (HANDLE IN ON POSITION)	7 1/2"
DECKPLATE LENGTH	10 1/2"
DECKPLATE WIDTH	2 5/16"
SPOUT LENGTH	8"
MOUNTING CENTERS	8"



MODEL NO. 87182
C.P. KITCHEN FAUCET
SINGLE CONTROL LEVER HANDLE

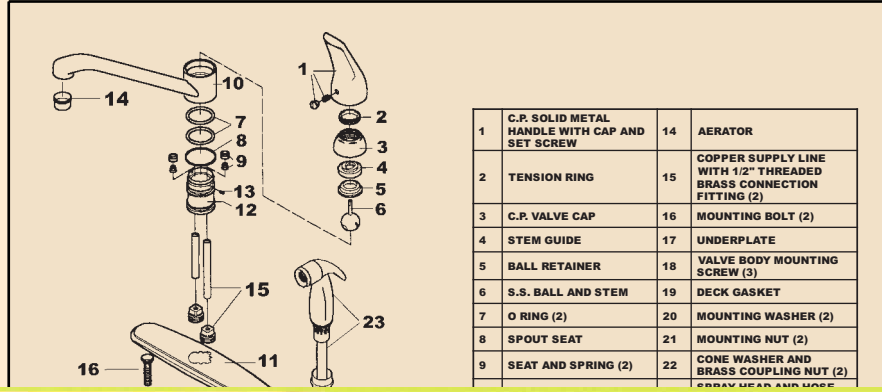
WASHERLESS DESIGN
CHROME PLATED FINISH
ALL BRASS WATERWAYS
SOLID METAL LEVER HANDLE
WATER SAVING DESIGN
MAXIMUM FLOW RATE: 2.0 GPM AT 60 PSI
ADA COMPLIANT
LIMITED LIFETIME WARRANTY

COMPLIES WITH
NSF61-9

~~MODEL NO. 87183~~
INCLUDES HOSE AND SPRAY (DEPICTED WITH SPRAY HEAD)

KITCHEN

CONTEMPORARY STYLING WITH REPLACEABLE PARTS THAT ARE INTERCHANGEABLE WITH SIMILAR NATIONAL BRANDS. HEAVY METAL CONSTRUCTION WITH CHROME PLATED DECK PLATE IS IDEAL FOR BOTH RESIDENTIAL AND COMMERCIAL USE. 87183 INCLUDES A HAND HELD SPRAY UNIT WITH MOUNTING HARDWARE. THIS MODEL IS DESIGNED TO MATCH AREA DÉCOR WHEN USED WITH LAVATORY FAUCET 87140 OR 87141 ON PAGE 1 AND THE PRESSURE BALANCE TUB & SHOWER VALVE 61111-M ON PAGE 8.



MODEL NO. 30200
C.P. SINGLE SPIGOT FAUCET
CROSS HANDLE

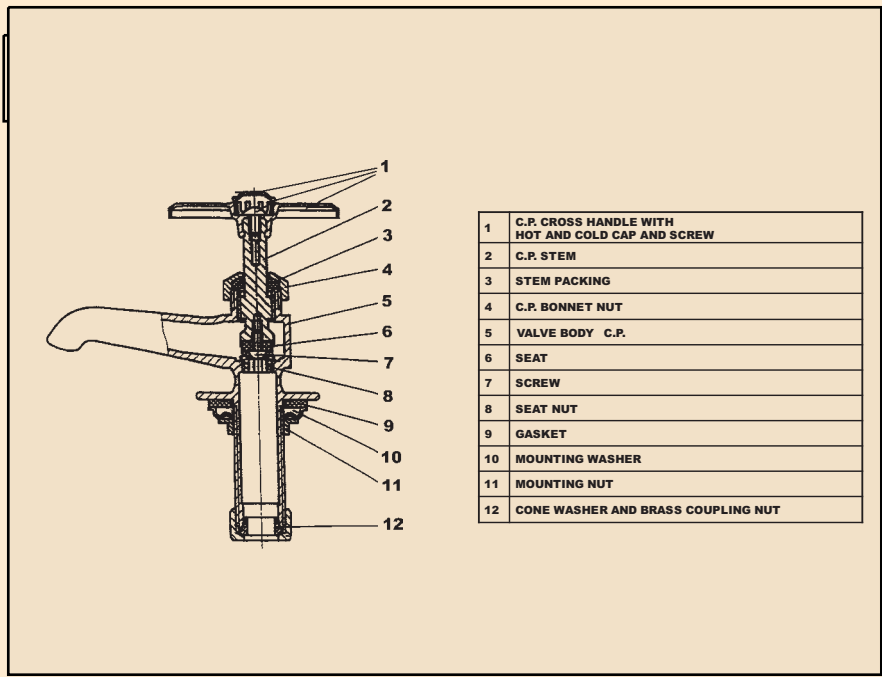
CHROME PLATED FINISH
ALL BRASS WATERWAYS
WATER SAVING DESIGN
MAXIMUM FLOW RATE: 2.0 GPM AT 60 PSI
ATTRACTIVE AND DURABLE
LIMITED LIFETIME WARRANTY

COMPLIES WITH
NSF61-9

LAVATORY

CLASSIC STYLING FOR THAT RUSTIC LOOK. SOLID CAST BRASS WITH A POLISHED CHROME FINISH. SEAT WASHER IS EASILY REPLACEABLE. EACH VALVE COMES WITH BOTH A HOT AND COLD HANDLE CAP. TYPICALLY USED IN SINGLE OR DOUBLE SPIGOT SINKS. IDEAL FOR WIDE SPREAD 2 HOLE APPLICATIONS.

HEIGHT (FROM BASE TO HANDLE)	3"
SPOUT LENGTH	2 3/4"



MODEL NO. 30131
C.P. KITCHEN FAUCET
DUAL METAL HANDLES

CHROME PLATED FINISH
ALL BRASS WATERWAYS
DUAL METAL HANDLES
SWIVEL SPOUT
WATER SAVING DESIGN
MAXIMUM FLOW RATE: 2.0 GPM AT 60 PSI
ATTRACTIVE AND DURABLE
LIMITED LIFETIME WARRANTY

COMPLIES WITH
NSF61-9

~~MODEL NO. 30131-S~~
WITH HOSE AND SPRAY (DEPICTED WITH SPRAY HEAD)

KITCHEN

CLASSIC STYLE WITH DURABLE AND SOLID CONSTRUCTION. BODY IS A MACHINED CAST BRASS UNIT. STEM WASHERS ARE INTERCHANGEABLE WITH SIMILAR NATIONAL BRANDS. MODEL 30131-S INCLUDES A HANDHELD SPRAY UNIT WITH MOUNTING HARDWARE.

