

Webstone

CLASSIC COMPRESSION SERIES

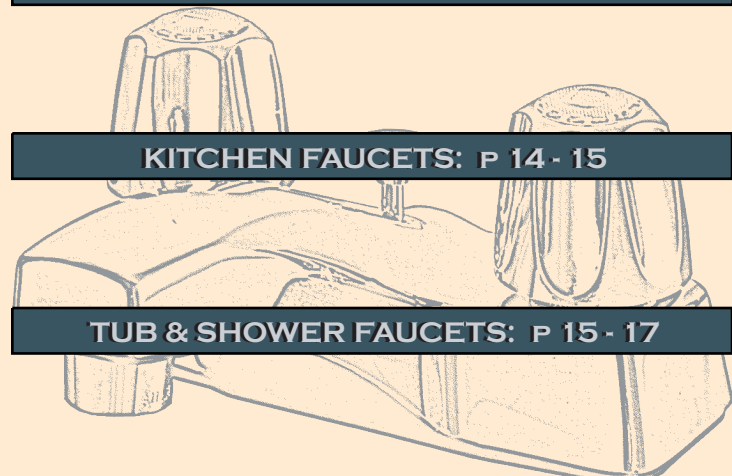
PROVEN STYLE AND DESIGN THAT STANDS THE TEST OF TIME. THE CLASSIC COMPRESSION LINE IS YOUR CHOICE IF YOU ARE REPLACING, REMODELING OR JUST FANCY THAT "RETRO LOOK". EVERY WEBSTONE FAUCET IS CAREFULLY ENGINEERED TO MAKE EACH INSTALLATION CLEAN, EASY AND EFFICIENT. THESE CLASSIC DESIGNS FEATURE THE LATEST INSTALLATION HARDWARE TO MAKE YOUR JOB EASIER, CLEANER AND LESS EXPENSIVE. CHOOSE A WEBSTONE CLASSIC COMPRESSION LINE FAUCET AND YOU CAN REST ASSURED THAT YOU HAVE MADE THE RIGHT CHOICE FOR A LIFETIME.

LAVATORY FAUCETS: P 13 - 14

KITCHEN FAUCETS: P 14 - 15

TUB & SHOWER FAUCETS: P 15 - 17

SPECIALTY FAUCETS: P 18



MODEL NO. 30112
C.P. LAVATORY FAUCET
DUAL METAL HANDLES

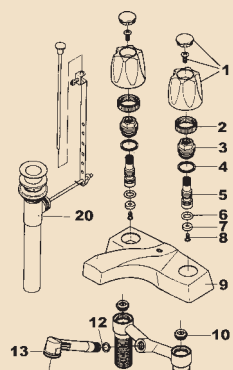
CHROME PLATED FINISH
 ALL BRASS WATERWAYS
 DUAL METAL HANDLES
 WATER SAVING DESIGN
 MAXIMUM FLOW RATE: 2.0 GPM AT 60 PSI
 ATTRACTIVE AND DURABLE
 LIMITED LIFETIME WARRANTY

COMPLIES WITH
NSF61-9

MODEL NO. 30109
 WITH BRASS POP-UP (DEPICTED WITH POP-UP ROD)

LAVATORY

CLASSIC STYLE WITH DURABLE AND SOLID CONSTRUCTION. BODY IS A MACHINED CAST BRASS UNIT. STEM WASHERS ARE INTERCHANGEABLE WITH SIMILAR NATIONAL BRANDS. 30109 INCLUDES A HEAVY GAUGE ALL BRASS CONSTRUCTION POP-UP DRAIN ASSEMBLY.



- 1 C.P. VERVE STYLE METAL HANDLE WITH CAP AND SCREW (2)
- 2 RETAINER NUT (2)
- 3 STEM GLAND (2)
- 4 STEM WASHER (2)
- 5 STEM (2)
- 6 O RING (2)
- 7 REPLACEABLE WASHER (2)
- 8 SCREW (2)
- 9 C.P. HOUSING
- 10 REPLACEABLE BRASS SEAT (2)
- 11 VALVE BODY WITH 1/2" THREADED MALE CONNECTIONS BRASS
- 12 INNER SPOUT O RING
- 13 INNER SPOUT
- 14 AERATOR



MODEL NO. 87280
C.P. KITCHEN FAUCET
DUAL ACRYLIC HANDLES

QUARTER TURN WASHERLESS DESIGN
 CHROME PLATED FINISH
 ALL BRASS WATERWAYS
 DUAL ACRYLIC HANDLES
 WATER SAVING DESIGN
 MAXIMUM FLOW RATE: 2.0 GPM AT 60 PSI
 LIMITED LIFETIME WARRANTY

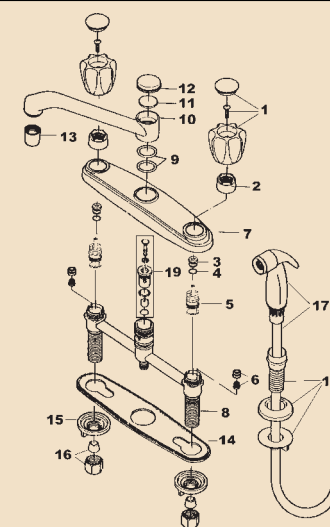
COMPLIES WITH
NSF61-9

MODEL NO. 87281
 INCLUDES HOSE AND SPRAY (DEPICTED WITH SPRAY HEAD)

KITCHEN

CONTEMPORARY YET SIMPLE STYLING WITH REPLACEABLE PARTS THAT ARE INTERCHANGEABLE WITH SIMILAR NATIONAL BRANDS. THE BODY OF THE VALVE IS A MACHINED CAST BRASS UNIT THAT IS AFFIXED DIRECTLY TO THE SINK. HEAVY METAL CONSTRUCTION WITH CHROME PLATED METAL DECK PLATE IS IDEAL FOR BOTH RESIDENTIAL AND COMMERCIAL USE. 87281 INCLUDES A HAND HELD SPRAY UNIT WITH MOUNTING HARDWARE. THIS MODEL IS DESIGNED TO MATCH AREA DÉCOR WHEN USED WITH LAVATORY FAUCETS 87260 OR 87262 ON PAGE 3 AND THE TWO OR THREE ACRYLIC HANDLE SHOWER VALVE 63332, 63322 OR 63322-S ON PAGE 9.

HANDLE TIP HEIGHT	2 3/4"
SPOUT HEIGHT	6"
SPOUT LENGTH	8"
DECKPLATE LENGTH	10 1/4"
DECKPLATE WIDTH	2"
MOUNTING CENTERS	8"



- 1 ACRYLIC HANDLE WITH CAP AND SCREW (2)
- 2 C.P. CANOPY NUT (2)
- 3 STEM GUIDE (2)
- 4 O RING (2)
- 5 WASHERLESS CARTRIDGE BRASS STEM (2)
- 6 SEAT AND SPRING (2)
- 7 C.P. DECK PLATE
- 8 VALVE BODY WITH 1/2" THREADED MALE CONNECTIONS BRASS
- 9 O RING
- 10 C.P. SPOUT
- 11 SPOUT PACKING
- 12 C.P. SPOUT CAP
- 13 AERATOR
- 14 DECK GASKET
- 15 MOUNTING NUT (2)
- 16 CONE WASHER AND BRASS COUPLING NUT (2)
- 17 SPRAY HEAD AND HOSE (87281 ONLY)
- 18 SPRAY MOUNTING HARDWARE (87281 ONLY)
- 19 DIVERTER VALVE ASSEMBLY (87281 ONLY)



MODEL NO. 80220
C.P. KITCHEN FAUCET
DUAL METAL WRIST BLADE HANDLES

QUARTER TURN WASHERLESS DESIGN
 CHROME PLATED FINISH
 ALL BRASS WATERWAYS
 DUAL METAL WRIST BLADE HANDLES
 WATER SAVING DESIGN
 MAXIMUM FLOW RATE: 2.0 GPM AT 60 PSI
 ADA COMPLIANT
 LIMITED LIFETIME WARRANTY

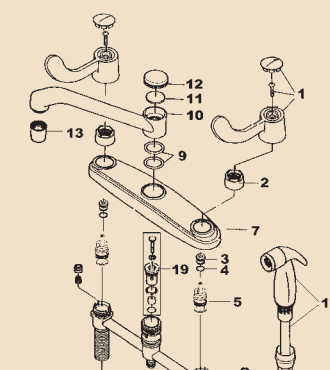
COMPLIES WITH
NSF61-9

MODEL NO. 80221
 INCLUDES HOSE AND SPRAY (DEPICTED WITH SPRAY HEAD)

KITCHEN

CONTEMPORARY YET SIMPLE STYLING WITH REPLACEABLE PARTS THAT ARE INTERCHANGEABLE WITH SIMILAR NATIONAL BRANDS. THE BODY OF THE VALVE IS A MACHINED CAST BRASS UNIT THAT IS AFFIXED DIRECTLY TO THE SINK. HEAVY METAL CONSTRUCTION WITH CHROME PLATED METAL DECK PLATE IS IDEAL FOR BOTH RESIDENTIAL AND COMMERCIAL USE. 80221 INCLUDES A HAND HELD SPRAY UNIT WITH MOUNTING HARDWARE. THIS MODEL IS DESIGNED TO MATCH OTHER ADA COMPLIANT AREA DÉCOR WHEN USED WITH LAVATORY FAUCETS 80210 OR 80212 ON PAGE 3 AND CAN BE USED WITH EITHER THE LOOP OR SOLID METAL LEVER SHOWER VALVES ON PAGE 8.

HANDLE TIP HEIGHT	4"
-------------------	----



- 1 C.P. WRIST BLADE HANDLE WITH CAP AND SCREW (2)
- 2 C.P. CANOPY NUT (2)
- 3 STEM GUIDE (2)
- 4 O RING (2)
- 5 WASHERLESS CARTRIDGE BRASS STEM (2)
- 6 SEAT AND SPRING (2)
- 7 C.P. DECK PLATE
- 8 VALVE BODY WITH 1/2" THREADED MALE CONNECTIONS BRASS
- 9 O RING (2)
- 10 C.P. SPOUT
- 11 SPOUT PACKING
- 12 C.P. SPOUT CAP
- 13 AERATOR

ONE APPIAN WAY, WORCESTER, MA 01610

30112
 30109

CLASSIC COMPRESSION SERIES
 by Webstone

CLASSIC COMPRESSION SERIES

Infinity Collection

Infinity Collection
 by Webstone

80220
 80221

ONE APPIAN WAY, WORCESTER, MA 01610

GOODYEAR
 RUBBER PRODUCTS INC.

Call Toll Free: **1-866-711-4673**
 WebSales@GoodyearRubberProducts.com

**We Ship
 World Wide**