

85280
85281



MODEL NO. 85280
C.P. KITCHEN FAUCET - HIGH RISE SPOUT
THREE SETS OF HANDLES (OAK, ACRYLIC, AND PORCELAIN)

QUARTER TURN WASHERLESS DESIGN
CHROME PLATED FINISH
SOLUTION FOR A SHALLOW SINK
ALL BRASS WATERWAYS
THREE SETS OF HANDLES TO CHOOSE FROM (OAK, ACRYLIC, AND PORCELAIN)
WATER SAVING DESIGN
MAXIMUM FLOW RATE: 2.0 GPM AT 60 PSI
ADA COMPLIANT
LIMITED LIFETIME WARRANTY

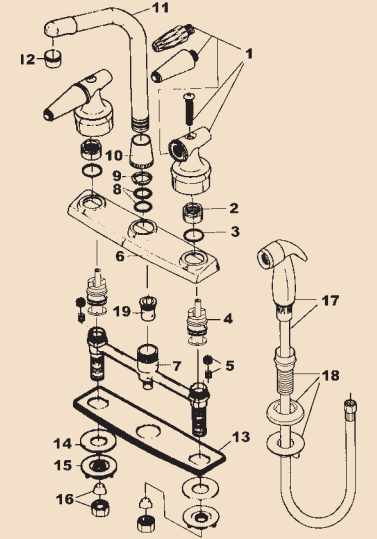
COMPLIES WITH
NSF61-9

— **MODEL No. 85281** —
INCLUDES HOSE AND SPRAY (DEPICTED WITH SPRAY HEAD)

KITCHEN

DUAL HANDLE AND FUNCTIONAL DESIGN WITH REPLACEABLE PARTS THAT ARE INTERCHANGEABLE WITH SIMILAR NATIONAL BRANDS. THE BODY OF THE VALVE IS A MACHINED CAST BRASS UNIT THAT IS AFFIXED DIRECTLY TO THE SINK. HEAVY DUTY CONSTRUCTION WITH A CHROME PLATED METAL DECK PLATE IS IDEAL FOR BOTH RESIDENTIAL AND COMMERCIAL USE. 85281 INCLUDES A HAND HELD SPRAY UNIT WITH MOUNTING HARDWARE. THE HIGH RISE SWIVEL SPOUT PROVIDES EASE WHEN WASHING LARGER OBJECTS PARTICULARLY IN SHALLOW SINKS. THE ADDITION OF A SPRAY MAKES IT VERY VERSATILE.

HANDLE HEIGHT	3 1/8"
SPOUT HEIGHT	10"
SPOUT LENGTH	7 1/2"
BASE LENGTH	10 1/4"
BASE WIDTH	8"
MOUNTING CENTERS	8"



1	C.P. HANDLE ASSEMBLY WITH THREE SETS OF HANDLES (OAK, ACRYLIC, AND PORCELAIN)
2	C.P. CANOPY NUT (2)
3	O RING (2)
4	WASHERLESS CARTRIDGE BRASS STEM (2)
5	SEAT AND SPRING (2)
6	C.P. DECK PLATE
7	VALVE BODY WITH 1/2" THREADED MALE CONNECTIONS BRASS
8	O RING (2)
9	SPLIT RING
10	C.P. SPOUT NUT
11	C.P. SPOUT
12	AERATOR
13	DECK GASKET
14	MOUNTING WASHER (2)
15	MOUNTING NUT (2)
16	CONE WASHER AND BRASS COUPLING NUT (2)
17	SPRAY HEAD AND HOSE (85281 ONLY)
18	SPRAY MOUNTING HARDWARE (85281 ONLY)
19	DIVERTER VALVE (85281 ONLY)

87185



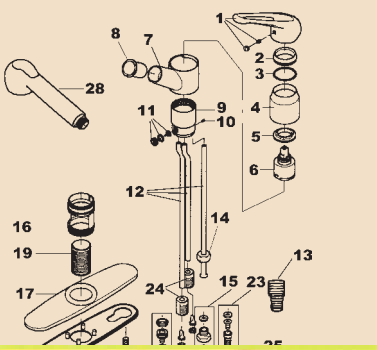
MODEL NO. 87185
C.P. KITCHEN FAUCET
SINGLE CONTROL LOOP HANDLE
WITH TWO PULL OUT SPOUTS (WHITE AND CHROME)

CERAMIC DISC CARTRIDGE WITH ANTI-SCALD FEATURE
CHROME PLATED FINISH
METAL LOOP HANDLE
16" STAINLESS STEEL BRAIDED CONNECTIONS FOR EASY DIRECT CONNECTION TO SUPPLY VALVE
CONVENIENT MULTI-FUNCTION PULL OUT SPOUT FOR SHOWER SPRAY OR FULL FLOW RINSING
2 SPOUTS INCLUDED: WHITE AND CHROME
WATER SAVING DESIGN
MAXIMUM FLOW RATE: 2.0 GPM AT 60 PSI
ADA COMPLIANT
LIMITED LIFETIME WARRANTY

COMPLIES WITH
NSF61-9

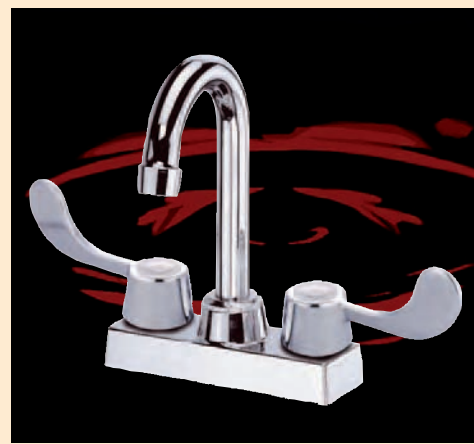
KITCHEN

THIS SLEEK, SMOOTH OPERATING SINGLE LEVER KITCHEN FAUCET IS DESIGNED AND ENGINEERED FOR DOMESTIC USE. ITS CERAMIC DISC CARTRIDGE IS OF THE LATEST TECHNOLOGY AND WILL OUTLAST MOST OTHER DESIGNS. GUARANTEED TO PROVIDE MANY YEARS OF TROUBLE FREE SERVICE. ITS CONTEMPORARY DESIGN IS SURE TO ENHANCE ANY KITCHEN. THIS MODEL IS DESIGNED TO MATCH AREA DECOR WHEN USED WITH LAVATORY FAUCETS 87142 AND 87143 ON PAGE 2, AND THE PRESSURE BALANCED TUB AND SHOWER VALVE 61111 ON PAGE 8.



1	C.P. LOOP METAL HANDLE WITH CAP AND SET SCREW	15	CHECK VALVE ASSEMBLY
2	CAP HANDLE RETAINER RING	16	INNER HUB ASSEMBLY
3	HANDLE O RING	17	C.P. FACE PLATE
4	C.P. HANDLE SLEEVE	18	BOTTOM PLATE
5	CARTRIDGE RETAINER NUT	19	THREADED MOUNTING SHANK
6	CERAMIC DISC CARTRIDGE	20	SHANK NUT AND WASHERS
7	C.P. SPOUT HUB	21	MOUNTING BOLT FOR 8" MOUNT (2)
8	SPOUT HUB LINER	22	MOUNTING NUT FOR 8" MOUNT (2)
9	VALVE BODY BRASS	23	HOSE TO VALVE CONNECTOR ASSEMBLY
10	GUIDE PIN	24	HOSE CONNECTOR

80238-WBH



MODEL NO. 80238-WBH
C.P. BAR FAUCET - GOOSENECK SPOUT
WRIST BLADE HANDLES

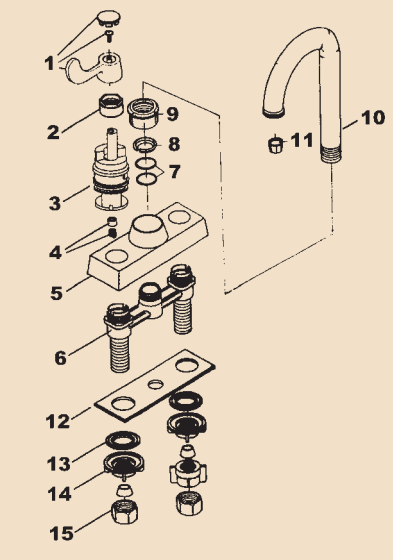
QUARTER TURN WASHERLESS DESIGN
CHROME PLATED FINISH
ALL BRASS WATERWAYS
DUAL METAL WRIST BLADE HANDLES
WATER SAVING DESIGN
MAXIMUM FLOW RATE: 2.0 GPM AT 60 PSI
ADA COMPLIANT
LIMITED LIFETIME WARRANTY

COMPLIES WITH
NSF61-9

SPECIALTY

CLASSIC STYLING AND DESIGN, THIS BAR FAUCET FEATURES REPLACEABLE AND INTERCHANGEABLE PARTS WITH SIMILAR NATIONAL BRANDS. THE BODY OF THE VALVE IS A MACHINED CAST BRASS UNIT. THIS WILL MATCH DESIGN AND DECOR WHEN USED WITH LAVATORY FAUCETS 80210 AND 80212 ON PAGE 3, KITCHEN FAUCETS 80220 AND 80221 ON PAGE 6, AND CAN BE USED WITH SHOWER VALVE 61111 PAGE 8.

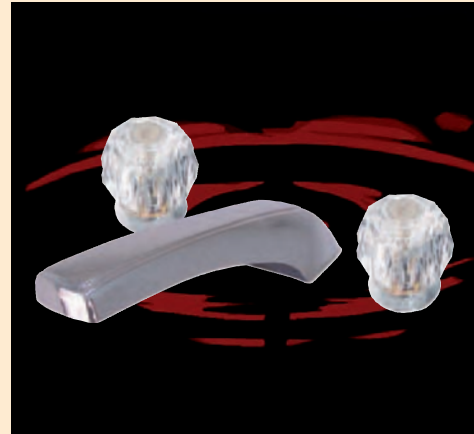
HANDLE HEIGHT	3 1/8"
SPOUT HEIGHT	10"
SPOUT LENGTH	7 1/2"
BASE LENGTH	10 1/4"
BASE WIDTH	8"
MOUNTING CENTERS	8"



1	C.P. WRIST BLADE HANDLE WITH CAP AND SCREW (2)
2	C.P. CANOPY NUT (2)
3	WASHERLESS CARTRIDGE BRASS STEM (2)
4	SEAT AND SPRING (2)
5	C.P. HOUSING
6	VALVE BODY WITH 1/2" THREADED MALE CONNECTIONS BRASS
7	O RING (2)
8	SPLIT PACKING RING
9	C.P. SPOUT NUT
10	C.P. SPOUT
11	AERATOR
12	DECK GASKET
13	MOUNTING WASHER (2)
14	MOUNTING NUT (2)
15	CONE WASHER AND BRASS COUPLING NUT (2)

Infinity Collection
by Webstone

63222



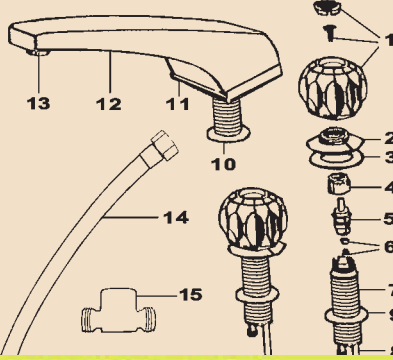
MODEL NO. 63222
C.P. ROMAN TUB FILLER
DUAL CRYSTAL HANDLES - WIDESPREAD

QUARTER TURN WASHERLESS DESIGN
CHROME PLATED FINISH
DUAL ACRYLIC HANDLES
HIGH FLOW TUB FILLER
LIMITED LIFETIME WARRANTY

COMPLIES WITH
NSF61-9

SPECIALTY

CLASSIC STYLING AND DESIGN, THIS 2 VALVE TUB AND SHOWER FAUCET FEATURES REPLACEABLE AND INTERCHANGEABLE PARTS WITH THE SIMILAR NATIONAL BRANDS. THE BODY OF THE VALVE IS COMPRISED OF 2 COMPONENTS LINKED TOGETHER WITH FLEXIBLE TUBING. THUS, THERE IS TREMENDOUS FLEXIBILITY WITH INSTALLATION LOCATIONS. THIS MODEL IS DESIGNED TO MATCH AREA DECOR WHEN USED WITH LAVATORY FAUCETS 87260 AND 87262 ON PAGE 3 AND KITCHEN FAUCETS 87280 AND 87281 ON PAGE 5.



1	ACRYLIC HANDLE WITH CAP AND SCREW (2)
2	HANDLE ESCUTCHEON (2)
3	WASHER (2)
4	STEM GUIDE (2)
5	WASHERLESS CARTRIDGE BRASS STEM (2)
6	SEAT AND SPRING (2)
7	VALVE BODY BRASS (2)
8	COPPER SUPPLY LINE WITH 1/2" THREADED BRASS CONNECTIONS (2)
9	MOUNTING NUT (2)
10	SPOUT MOUNTING NUT
11	SPOUT GASKET
12	C.P. SPOUT
13	AERATOR
14	PVC NYLON REINFORCED 1/2" X 12" SUPPLY TUBES (2)

Infinity Collection
by Webstone



Call Toll Free: **1-866-711-4673**
WebSales@GoodyearRubberProducts.com

We Ship
World Wide