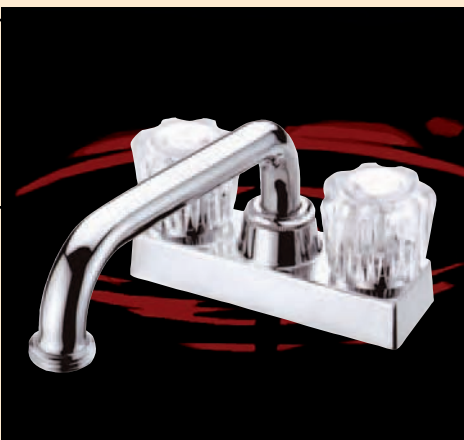


80229
80230



MODEL NO. 80229
C.P. LAUNDRY TUB FAUCET
DUAL ACRYLIC HANDLES (DEPICTED)

QUARTER TURN WASHERLESS DESIGN
CHROME PLATED FINISH
ALL BRASS WATERWAYS
DUAL ACRYLIC HANDLES
SPOUT WITH HOSE END
LIMITED LIFETIME WARRANTY

COMPLIES WITH
NSF61-9

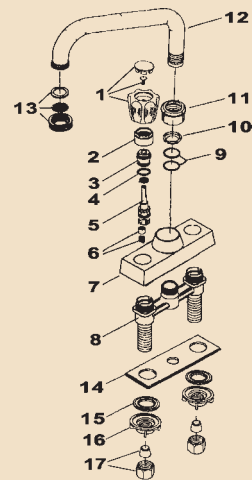
~~MODEL NO. 80230~~
WITH PLAIN END SPOUT AND AERATOR



SPECIALTY

CLASSIC STYLING AND DESIGN, THIS LAUNDRY TUB FAUCET FEATURES REPLACEABLE AND INTERCHANGABLE PARTS WITH SIMILAR NATIONAL BRANDS. THE BODY OF THE VALVE IS A MACHINED CAST BRASS UNIT. THE SWIVEL SPOUT FEATURES A GARDEN HOSE CONNECTION TO ADD VERSATILITY TO YOUR LAUNDRY TUB. THIS WILL MATCH AREA DESIGN AND DECOR WHEN USED WITH LAVATORY FAUCETS 87260 AND 87262 ON PAGE 3, KITCHEN FAUCETS 87280 AND 87281 ON PAGE 5, AND SHOWER VALVES 63322 OR 63322 / 63322-S / 63322-T ON PAGE 9.

HANDLE HEIGHT	3"
SPOUT LENGTH	4 1/4"
SPOUT HEIGHT	6 3/4"
BASE LENGTH	5 1/2"
WIDTH	2"
MOUNTING CENTERS	4"



1	ACRYLIC HANDLE WITH CAP AND SCREW (2)
2	C.P. CANOPY NUT (2)
3	STEM GUIDE (2)
4	O RING (2)
5	WASHERLESS CARTRIDGE BRASS STEM (2)
6	SEAT AND SPRING (2)
7	C.P. HOUSING
8	VALVE BODY WITH 1/2" THREADED MALE CONNECTIONS BRASS
9	O RING (2)
10	SPLIT PACKING RING
11	C.P. SPOUT NUT
12	C.P. SPOUT
13	THREADED AERATOR ASSEMBLY
14	DECK GASKET
15	MOUNTING WASHER (2)
16	MOUNTING NUT (2)
17	CONE WASHER AND BRASS COUPLING NUT (2)

80238



MODEL NO. 80238
C.P. BAR FAUCET - GOOSENECK SPOUT
DUAL ACRYLIC HANDLES

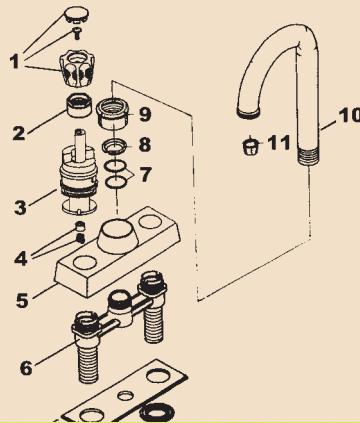
QUARTER TURN WASHERLESS DESIGN
CHROME PLATED FINISH
ALL BRASS WATERWAYS
DUAL ACRYLIC HANDLES
WATER SAVING DESIGN
MAXIMUM FLOW RATE: 2.0 GPM AT 60 PSI
LIMITED LIFETIME WARRANTY

COMPLIES WITH
NSF61-9



SPECIALTY

CLASSIC STYLING AND DESIGN, THIS BAR FAUCET FEATURES REPLACEABLE AND INTERCHANGABLE PARTS WITH SIMILAR NATIONAL BRANDS. THE BODY OF THE VALVE IS A MACHINED CAST BRASS UNIT. THE GOOSENECK SPOUT SWIVELS FOR GREATER VERSATILITY. THIS WILL MATCH AREA DESIGN AND DECOR WHEN USED WITH LAVATORY FAUCETS 87260 AND 87262 ON PAGE 3, KITCHEN FAUCETS 87280 AND 87281 ON PAGE 5, AND SHOWER VALVES 63322 OR 63322 / 63322-S / 63322-T ON PAGE 9.



1	ACRYLIC HANDLE WITH CAP AND SCREW (2)
2	C.P. CANOPY NUT (2)
3	WASHERLESS CARTRIDGE BRASS STEM (2)
4	SEAT AND SPRING (2)
5	C.P. HOUSING
6	VALVE BODY WITH 1/2" THREADED MALE CONNECTIONS BRASS
7	O RING (2)
8	SPLIT PACKING RING
9	C.P. SPOUT NUT
10	C.P. SPOUT
11	AERATOR
12	DECK GASKET
13	MOUNTING WASHER (2)



MODEL NO. 80183
C.P. KITCHEN FAUCET
SINGLE CONTROL LEVER HANDLE
WITH SPRAY MOUNTED IN DECK (FITS 3 HOLE SINKS)

WASHERLESS DESIGN
CHROME PLATED FINISH
ALL BRASS WATERWAYS
SOLID METAL LEVER HANDLE
WATER SAVING DESIGN
MAXIMUM FLOW RATE: 2.0 GPM AT 60 PSI
ADA COMPLIANT
LIMITED LIFETIME WARRANTY

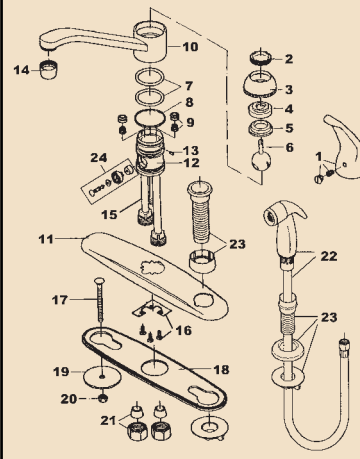
COMPLIES WITH
NSF61-9



KITCHEN

CONTEMPORARY STYLING WITH REPLACEABLE PARTS THAT ARE INTERCHANGEABLE WITH SIMILAR NATIONAL BRANDS. HEAVY METAL CONSTRUCTION WITH CHROME PLATED DECK PLATE IS IDEAL FOR BOTH RESIDENTIAL AND COMMERCIAL USE. THIS MODEL IS SPECIFICALLY DESIGNED TO ALLOW FOR A HANDHELD SPRAY UNIT FOR A 3 HOLE SINK AND WILL MATCH AREA DÉCOR WHEN USED WITH LAVATORY FAUCET 87140 OR 87141 ON PAGE 1 AND THE PRESSURE BALANCE TUB & SHOWER VALVE 61111-M ON PAGE 8.

MAXIMUM HEIGHT (HANDLE IN ON POSITION)	7 3/8"
DECKPLATE LENGTH	10 1/4"
DECKPLATE WIDTH	2 1/4"
SPOUT LENGTH	8"
MOUNTING CENTERS	8"



1	C.P. SOLID METAL HANDLE WITH CAP AND SET SCREW	13	GUIDE PIN
2	TENSION RING	14	AERATOR
3	C.P. VALVE CAP	15	COPPER SUPPLY LINE WITH 1/2" THREADED BRASS CONNECTION FITTING (2)
4	STEM GUIDE	16	MOUNTING BRACKET WITH SCREWS
5	BALL RETAINER	17	MOUNTING BOLT (2)
6	S.S. BALL AND STEM	18	DECK GASKET
7	O RING (2)	19	MOUNTING WASHER (2)
8	SPOUT SEAT	20	MOUNTING NUT (2)
9	SEAT AND SPRING (2)	21	CONE WASHER AND BRASS COUPLING NUT (2)
10	C.P. SPOUT	22	SPRAY HEAD AND HOSE HARDWARE
11	C.P. DECK PLATE	23	SPRAY HEAD MOUNTING ASSEMBLY
12	VALVE BODY BRASS	24	DIVERTER VALVE ASSEMBLY



MODEL NO. 61111
C.P. TUB AND SHOWER FAUCET
SINGLE CONTROL LOOP HANDLE (DEPICTED)

PRESSURE BALANCED / ANTI-SCALD CERAMIC DISC TECHNOLOGY
CHROME PLATED FINISH
METAL LOOP HANDLE
EASY PUSH-ON DIVERTER TUB SPOUT
INTEGRAL STOPS FOR BOTH HOT AND COLD SUPPLY
WATER SAVING SHOWER HEAD DESIGN
MAXIMUM FLOW RATE: 2.0 GPM AT 60 PSI FROM SHOWERHEAD
ADA COMPLIANT
LIMITED LIFETIME WARRANTY

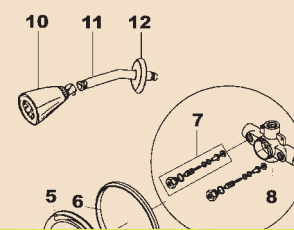
COMPLIES WITH
NSF61-9



TUB & SHOWER

CONTEMPORARY STYLING, FORGED BRASS BODY CONSTRUCTION WITH INTEGRAL STOPS MAKES THIS A GREAT UNIT FOR SINGLE OR MULTI-FAMILY RESIDENCES. PRESSURE BALANCED / ANTI-SCALD CERAMIC DISC TECHNOLOGY PROVIDES YEARS OF DEPENDABLE AND SAFE SERVICE. THIS MODEL IS DESIGNED TO MATCH AREA DÉCOR WHEN USED WITH LAVATORY FAUCETS, 87142 OR 87143 ON PAGE 2 AND THE KITCHEN FAUCETS 87180 OR 87181 ON PAGE 4 OR THE PULL OUT SPOUT MODEL 87185 ON PAGE 7. REPLACEABLE PARTS AVAILABLE.

~~MODEL NO. 61111-M~~
~~MODEL NO. 61111-A~~
~~MODEL NO. 61111-S~~
SOLID METAL LEVER HANDLE
ACRYLIC HANDLE
SHOWER ONLY WITH LOOP HANDLE



1	C.P. LOOP METAL HANDLE WITH CAP AND SET SCREW
2	C.P. SOLID METAL HANDLE WITH CAP AND SET SCREW
3	ACRYLIC HANDLE WITH CAP AND SCREW
4	C.P. CARTRIDGE SLEEVE
5	CERAMIC DISC CARTRIDGE
6	FACE PLATE MOUNTING SCREW (2)
7	C.P. FACE PLATE
8	FACE PLATE GASKET

GOODYEAR
RUBBER PRODUCTS INC.

Call Toll Free: **1-866-711-4673**
WebSales@GoodyearRubberProducts.com

**We Ship
World Wide**

Infinity Collection by Webstone

Infinity Collection Infinity Collection Infinity Collection Infinity Collection Infinity Collection

Infinity Collection Infinity Collection Infinity Collection Infinity Collection Infinity Collection

Infinity Collection by Webstone

61111
61111-M
61111-A
61111-S

80183