

60110

**MODEL NO. 60110**

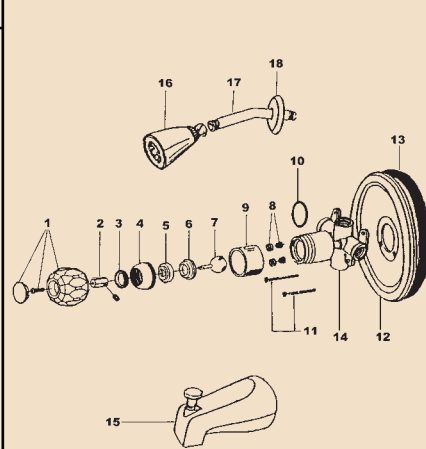
C.P. TUB AND SHOWER FAUCET SINGLE CONTROL ACRYLIC HANDLE

WASHERLESS DESIGN
CHROME PLATED FINISH
ALL BRASS WATERWAYS
ACRYLIC HANDLE
WATER SAVING SHOWER HEAD DESIGN
MAXIMUM FLOW RATE: 2.0 GPM AT 60 PSI FROM SHOWERHEAD
EASY PUSH-ON DIVERTER TUB SPOUT
LIMITED LIFETIME WARRANTY

COMPLIES WITH
NSF61-9

TUB & SHOWER

SIMPLE AND CLASSIC DESIGN WITH REPLACEABLE PARTS THAT ARE INTERCHANGABLE WITH SIMILAR NATIONAL BRANDS. FORGED BRASS CONSTRUCTION AND A WASHERLESS DESIGN PROVIDE FOR YEARS OF SMOOTH, TROUBLE FREE OPERATION. THIS MODEL WILL MATCH DESIGN AND DECOR WITH LAVATORY FAUCET 80142 ON PAGE 4.



1	ACRYLIC HANDLE WITH CAP AND SCREW
2	HANDLE ADAPTER WITH SET SCREW
3	TENSION RING
4	C.P. VALVE CAP
5	STEM GUIDE
6	BALL RETAINER
7	S.S. BALL AND STEM
8	SEAT AND SPRING (2)
9	C.P. VALVE SLEEVE
10	SLEEVE O RING
11	FACE PLATE MOUNTING SCREW (2)
12	C.P. FACE PLATE
13	FACE PLATE GASKET
14	VALVE BODY BRASS
15	DIVERTER SPOUT ASSEMBLY
16	SHOWER HEAD
17	SHOWER ARM
18	ESCUTCHEON

SHOWER ARM LENGTH	6"
FACE PLATE DIAMETER	6"
TUB SPOUT (SLIP ON FITS 1/2 X 3/4" TUBING)	6"

63332

**MODEL NO. 63332**

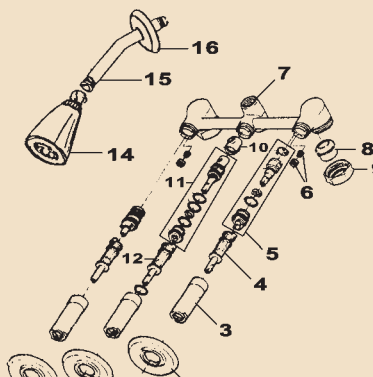
C.P. TUB AND SHOWER FAUCET THREE ACRYLIC HANDLES

QUARTER TURN WASHERLESS DESIGN
CHROME PLATED FINISH
ALL BRASS WATERWAYS
THREE ACRYLIC HANDLES
WATER SAVING SHOWER HEAD DESIGN
MAXIMUM FLOW RATE: 2.5 GPM AT 60 PSI FROM SHOWERHEAD
LIMITED LIFETIME WARRANTY

COMPLIES WITH
NSF61-9

TUB & SHOWER

CLASSIC STYLING AND DESIGN, THIS 3 VALVE TUB AND SHOWER FAUCET FEATURES REPLACEABLE PARTS THAT ARE INTERCHANGABLE WITH SIMILAR NATIONAL BRANDS. THE BODY OF THE VALVE IS A MACHINED CAST BRASS UNIT. THIS MODEL IS DESIGNED TO MATCH AREA DECOR WHEN USED WITH LAVATORY FAUCETS 87260 AND 87262 ON PAGE 3 AND KITCHEN FAUCETS 87280 AND 87281 ON PAGE 5.



1	ACRYLIC HANDLE WITH CAP AND SCREW (3)
2	C.P. WALL ESCUTCHEON (3)
3	C.P. STEM SLEEVE (3)
4	CARTRIDGE EXTENSION (3)
5	WASHERLESS CARTRIDGE BRASS STEM (3)
6	SEAT AND SPRING (2)
7	VALVE BODY BRASS
8	UNION FITTING (2)
9	UNION NUT (2)
10	DIVERTER BOOT
11	DIVERTER VALVE ASSEMBLY
12	DIVERTER EXTENSION

**MODEL NO. 63322**

C.P. TUB AND SHOWER FAUCET DUAL ACRYLIC HANDLES (DEPICTED)

QUARTER TURN WASHERLESS DESIGN
CHROME PLATED FINISH
ALL BRASS WATERWAYS
DUAL ACRYLIC HANDLES
EASY PUSH-ON DIVERTER TUB SPOUT
WATER SAVING SHOWER HEAD DESIGN
MAXIMUM FLOW RATE: 2.5 GPM AT 60 PSI FROM SHOWERHEAD
LIMITED LIFETIME WARRANTY

COMPLIES WITH
NSF61-9

TUB & SHOWER

CLASSIC STYLING AND DESIGN, THIS 2 VALVE TUB AND SHOWER FAUCET FEATURES REPLACEABLE AND INTERCHANGABLE PARTS WITH SIMILAR NATIONAL BRANDS. THE BODY OF THE VALVE IS A MACHINED CAST BRASS UNIT. THIS MODEL IS DESIGNED TO MATCH AREA DECOR WHEN USED WITH LAVATORY FAUCETS 87260 AND 87262 ON PAGE 3 AND KITCHEN FAUCETS 87280 AND 87281 ON PAGE 5.

SHOWER ARM LENGTH	6"
TUB SPOUT LENGTH	5 5/16"
VALVE CENTERS	8"

MODEL NO. 63322-S
SHOWER ONLY

1	ACRYLIC HANDLE WITH CAP AND SCREW (2)
2	C.P. WALL ESCUTCHEON (2)
3	C.P. STEM SLEEVE (2)
4	CARTRIDGE EXTENSION (2)
5	WASHERLESS CARTRIDGE BRASS STEM (2)
6	SEAT AND SPRING (2)
7	VALVE BODY BRASS
8	UNION FITTING (2)
9	UNION NUT (2)
10	DIVERTER VALVE ASSEMBLY
11	DIVERTER TUB SPOUT
12	SHOWER HEAD
13	SHOWER ARM
14	ESCUTCHEON

GOODYEAR
RUBBER PRODUCTS INC.

Call Toll Free: **1-866-711-4673**
WebSales@GoodyearRubberProducts.com

**We Ship
World Wide**

63322-S

Infinity Collection
by Webstone

80290

**MODEL NO. 80290**

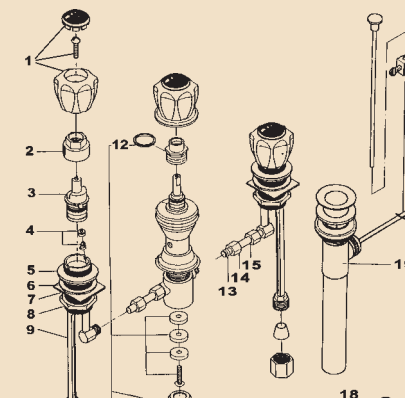
C.P. BIDET FAUCET THREE ACRYLIC HANDLES WITH BRASS POP-UP

QUARTER TURN WASHERLESS DESIGN
CHROME PLATED FINISH
ALL BRASS WATERWAYS
THREE ACRYLIC HANDLES
WATER SAVING DESIGN
LIMITED LIFETIME WARRANTY

COMPLIES WITH
NSF61-9

SPECIALTY

CLASSIC STYLING AND DESIGN, THIS 3 VALVE BIDET FAUCET FEATURES REPLACEABLE AND INTERCHANGABLE PARTS WITH SIMILAR NATIONAL BRANDS. THE BODY OF THE VALVE IS COMPRISED OF 3 SEPARATE COMPONENTS FOR EASE OF INSTALLATION. THESE COMPONENTS QUICKLY LINK TOGETHER WITH COPPER TUBING AND COMPRESSION FITTINGS THAT ARE ALL PROVIDED. THIS MODEL IS DESIGNED TO MATCH AREA DECOR WHEN USED WITH LAVATORY FAUCETS 87260 AND 87262 ON PAGE 3, KITCHEN FAUCETS 87280 AND 87281 ON PAGE 5, AND THE 2 OR 3 VALVE SHOWER FAUCETS 63332 OR 63322 ON PAGE 9.



1	ACRYLIC HANDLE WITH CAP AND SCREW (3)
2	C.P. CANOPY NUT (2)
3	WASHERLESS CARTRIDGE BRASS STEM (2)
4	SEAT AND SPRING (2)
5	VALVE BODY BRASS (2)
6	TOP WASHER (2)
7	BOTTOM WASHER (2)
8	MOUNTING NUT (2)
9	SUPPLY FEED TUBE (2)
10	1/2" THREADED INLET FITTING (2)
11	CONE WASHER AND BRASS COUPLING NUT (2)
12	DIVERTER VALVE ASSEMBLY
13	BRASS FERRULE (4)
14	COMPRESSION NUT (4)
15	COPPER TUBE (2)