

**4600 SERIES**

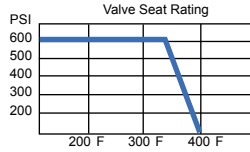
**FULL PORT FORGED BRASS BALL VALVES WITH STAINLESS STEEL HANDLE HEAVY PATTERN - IPS - (600 WOG/150 WSP)**



Designed for residential, commercial and industrial use with water, oil or gas. This approved extra heavy duty forged brass body valve features an extra hard chrome plated brass ball with Teflon® seats. The valve is actuated by a blowout proof stem with a Teflon® seal and features an adjustable packing nut. All sizes feature a vinyl coated stainless steel lever handle for a long corrosion proof life. Assembled and tested in the United States from foreign and domestic components.



**DESIGNED, BUILT & TESTED IN THE U.S.A.**

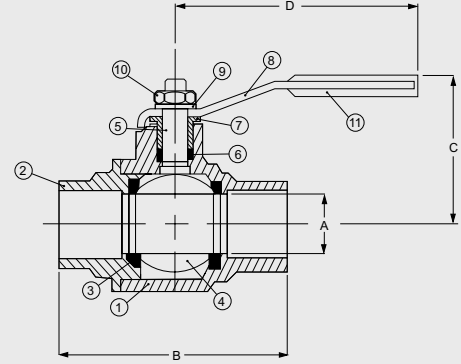


All Teflon® seated valves  
Maximum Temperature is 400°F @ 100 PSI  
**PRESSURE RATING**  
600 WOG non-shock  
150 WSP

1. Conforms to Federal Spec. WWV-35C
2. Threaded ends comply with ANSI B1.20.1
3. Teflon® seats withstand temperatures from -40°F to 400°F

Teflon® is a registered trademark of Dupont.

1. BODY	FORGED BRASS (ASTMB283-C37700)
2. END CAP	FORGED BRASS (ASTMB283-C37700)
3. SEATS	TEFLON® (PTFE)
4. BALL	BRASS/HARD CHROME PLATE (4601 & 4602 SERIES is SS 316)
5. STEM	BRASS (ASTMB283-C37700) (4601 & 4602 SERIES is SS 316)
6. STEM SEAL	TEFLON® (PTFE)
7. PACKING GLAND	FORGED BRASS (ASTMB283-C37700)
8. LEVER HANDLE	SS 304
9. LOCK WASHER	SS 304
10. NUT	SS 304
11. HANDLE JACKET	VINYL GRIP



ITEM	SIZE	CTN/CS	A	B	C	D	C <sub>c</sub>
46002	1/2	12/72	9/16	2 1/4	1 3/4	4	11.47
46003	3/4	10/60	3/4	2 5/8	2	4	27.01
46004	1	8/32	1	3 1/8	2 1/2	4 7/8	49.30
46005	1 1/4	6/24	1 1/4	3 5/8	2 11/16	4 7/8	114.03
46006	1 1/2	4/12	1 1/2	4 1/16	3 1/4	6 1/4	161.3
46007	2	3/9	2	4 3/4	3 3/8	6 3/8	248.61

Cv The number of gallons of water per minute that pass through the valve at a 1lb pressure drop.

**4601 SERIES**

**STAINLESS STEEL BALL, SS STEM & SS LEVER HANDLE**

**4602 SERIES**

**STAINLESS STEEL BALL, SS 90° STEM & SS LEVER HANDLE**

**4603 SERIES**

**H.C.P. BRASS BALL, Brass 90° STEM & SS LEVER HANDLE**

**THIS SPACE FOR DESIGNER / ENGINEER APPROVAL**

Job/Customer \_\_\_\_\_ Date \_\_\_\_\_ Contractor \_\_\_\_\_  
 Model Specified \_\_\_\_\_ Qty \_\_\_\_\_ Approved By \_\_\_\_\_  
 Designer/Engineer \_\_\_\_\_ Date \_\_\_\_\_ Contractor's PO # \_\_\_\_\_  
 Submitted by \_\_\_\_\_ Date \_\_\_\_\_ Other \_\_\_\_\_

**5600 SERIES**

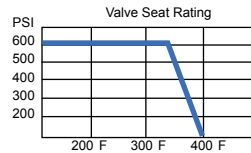
**FULL PORT FORGED BRASS BALL VALVES WITH STAINLESS STEEL HANDLE HEAVY PATTERN - Cx C - (600 WOG/150 WSP)**



Designed for residential, commercial and industrial use with water, oil or gas. This approved Webstone extra heavy duty forged brass body valve features an extra hard chrome plated brass ball with Teflon® seats. The valve is actuated by a blowout proof stem with a Teflon® seal and features an adjustable packing nut. All sizes feature a vinyl coated stainless steel lever handle for a long corrosion proof life. Assembled and tested in the United States from foreign and domestic components.



**DESIGNED, BUILT & TESTED IN THE U.S.A.**

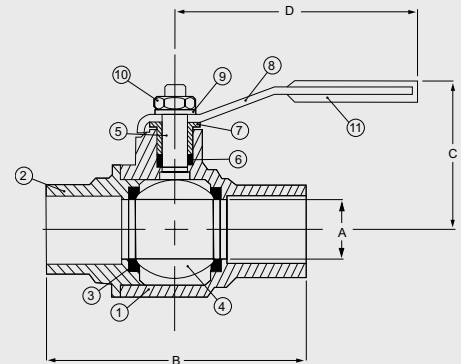


All Teflon® seated valves  
Maximum Temperature is 400°F @ 100 PSI  
**PRESSURE RATING**  
600 WOG non-shock  
150 WSP

1. Conforms to Federal Spec. WWV-35C
2. Solder ends comply with ANSI B16.18
3. Teflon® seats withstand temperatures from -40°F to 400°F

Teflon® is a registered trademark of Dupont.

1. BODY	FORGED BRASS (ASTMB283-C37700)
2. END CAP	FORGED BRASS (ASTMB283-C37700)
3. SEATS	TEFLON® (PTFE)
4. BALL	BRASS/HARD CHROME PLATE (5601 & 5602 SERIES is SS 316)
5. STEM	BRASS (ASTMB283-C37700) (5601 & 5602 SERIES is SS 316)
6. STEM SEAL	TEFLON® (PTFE)
7. PACKING GLAND	FORGED BRASS (ASTMB283-C37700)
8. HANDLE	SS 304
9. LOCK WASHER	SS 304
10. NUT	SS 304
11. HANDLE JACKET	VINYL GRIP



ITEM	SIZE	CTN/CS	A	B	C	D	C <sub>c</sub>
56002	1/2	12/72	9/16	2 1/4	1 7/8	4	11.47
56003	3/4	10/60	3/4	2 3/4	2	4	27.01
56004	1	8/32	1	3 1/2	2 1/2	4 3/4	49.30
56005	1 1/4	6/24	1 1/4	4 1/4	2 13/16	4 7/8	114.03
56006	1 1/2	4/12	1 1/2	4 9/16	3 1/4	6 3/8	161.3
56007	2	3/9	2	5 1/2	3 1/2	6 3/8	248.61

**THIS SPACE FOR DESIGNER / ENGINEER APPROVAL**

Job/Customer \_\_\_\_\_ Date \_\_\_\_\_ Contractor \_\_\_\_\_  
 Model Specified \_\_\_\_\_ Qty \_\_\_\_\_ Approved By \_\_\_\_\_  
 Designer/Engineer \_\_\_\_\_ Date \_\_\_\_\_ Contractor's PO # \_\_\_\_\_  
 Submitted by \_\_\_\_\_ Date \_\_\_\_\_ Other \_\_\_\_\_