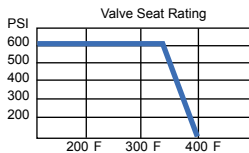


4070 SERIES

FULL PORT FORGED BRASS BALL VALVES WITH REVERSIBLE HANDLE IPS - (600 WOG/150 WSP) - ISO 9002

Designed for residential, commercial and industrial use with water, oil or gas and can be used with natural, manufactured, mixed, liquefied petroleum and LP gas/air mixtures. This approved Webstone heavy duty forged brass body valve features an extra hard chrome plated brass ball with Teflon® seats. The valve is actuated by a blowout proof stem with a Teflon® seal and features an adjustable packing nut. Vinyl coated stamped steel revers ble handle.



All Teflon® seated valves
Maximum Temperature is 400°F @ 100 PSI

PRESSURE RATING

1/2" - 2" 600 WOG non-shock
2 1/2" - 4" 400 WOG non-shock
150 WSP

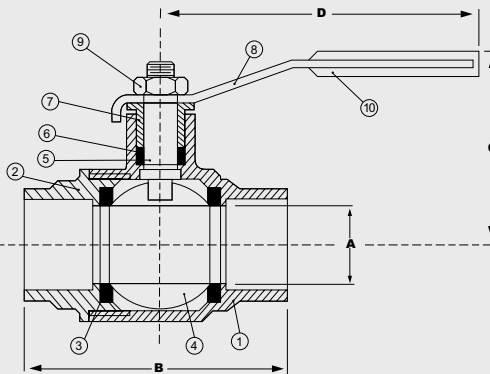
- CGA design certified.
- UL listed 1/4" - 2"
- CSA (Canadian Standards Association) Meets both Canadian and US standards for use with petroleum and natural gas mixtures
- Threaded ends comply with ANSI B1.20.1
- Teflon® seats withstand temperatures from -40°F to 400°F
- Manufactured in an ISO 9002 Facility

Teflon® is a registered trademark of Dupont.

THIS SPACE FOR DESIGNER / ENGINEER APPROVAL

Job/Customer _____	Date _____	Contractor _____
Model Specified _____	Qty _____	Approved By _____
Designer/Engineer _____	Date _____	Contractor's PO # _____
Submitted by _____	Date _____	Other _____

1. BODY	FORGED BRASS (ASTM B283-C37700)
2. END CAP	FORGED BRASS (ASTM B283-C37700)
3. SEATS	TEFLON® (PTFE)
4. BALL	BRASS / HARD CHROME PLATE
5. STEM	BRASS (ASTM B124-C37700)
6. STEM SEAL	TEFLON® (PTFE)
7. PACKING GLAND	BRASS (ASTM B124-C37700)
8. LEVER HANDLE	C.P. STEEL
9. NUT	C.P. STEEL
10. HANDLE JACKET	VINYL GRIP



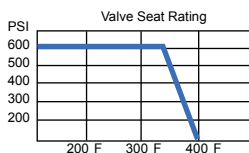
ITEM	SIZE	CTN/CS	A	B	C	D	C _v
40700	1/4	12/144	3/8	1 3/4	1 3/8	3 1/4	7.68
40701	3/8	12/144	3/8	1 7/8	1 1/2	3 1/4	7.80
40702	1/2	10/100	9/16	2 1/4	1 7/8	3 9/16	11.47
40703	3/4	5/60	3/4	2 9/16	2 1/8	4 3/8	27.01
40704	1	5/40	15/16	3	2 1/4	4 3/8	63.26
40705	1 1/4	4/28	1 1/4	3 1/2	2 3/4	5 1/2	127.72
40706	1 1/2	4/20	1 1/2	3 7/8	2 15/16	5 1/2	184.36
40707	2	2/12	2	4 9/16	3 3/8	6 5/16	286.12
40708	2 1/2	1/6	2 1/2	5 1/2	4 3/4	8	319.07
40709	3	1/6	3 1/4	6 1/4	5	11 1/4	431.66
40710	4	1/4	4 1/16	7	5 1/2	11 1/2	558.80

Cv The number of gallons of water per minute that pass through the valve at a 1lb pressure drop.

5070 SERIES

FULL PORT FORGED BRASS BALL VALVES WITH REVERSIBLE HANDLE Cx C - (600 WOG/150 WSP) - ISO 9002

Designed for residential, commercial and industrial use with water, oil or gas. This approved Webstone heavy duty forged brass body valve features an extra hard chrome plated brass ball with Teflon® seats. This approved Webstone valve is actuated by a blowout proof stem with a Teflon® seal and features an adjustable packing nut. Vinyl coated stamped steel reversible handle.



All Teflon® seated valves
Maximum Temperature is 400°F @ 100 PSI

PRESSURE RATING

600 WOG non-shock
150 WSP

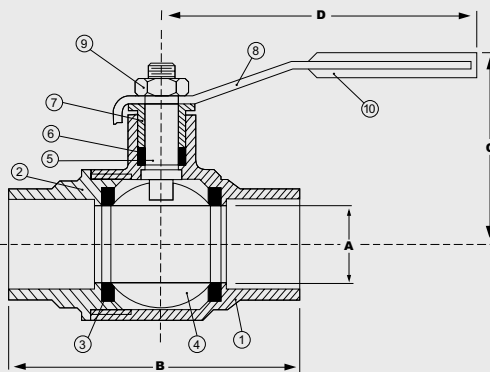
- UL listed
- Conforms to Federal Spec. WWV-35C
- Solder ends comply with ANSI B16.18
- Teflon® seats withstand temperatures from -40°F to 400°F
- Manufactured in an ISO 9002 Facility

Teflon® is a registered trademark of Dupont.

THIS SPACE FOR DESIGNER / ENGINEER APPROVAL

Job/Customer _____	Date _____	Contractor _____
Model Specified _____	Qty _____	Approved By _____
Designer/Engineer _____	Date _____	Contractor's PO # _____
Submitted by _____	Date _____	Other _____

1. BODY	FORGED BRASS (ASTM B283-C37700)
2. END CAP	FORGED BRASS (ASTM B283-C37700)
3. SEATS	TEFLON® (PTFE)
4. BALL	BRASS / HARD CHROME PLATE
5. STEM	BRASS (ASTM B124-C37700)
6. STEM SEAL	TEFLON® (PTFE)
7. PACKING GLAND	BRASS (ASTM B124-C37700)
8. HANDLE	C.P. STEEL
9. NUT	C.P. STEEL
10. HANDLE JACKET	VINYL GRIP



ITEM	SIZE	CTN/CS	A	B	C	D	C _v
50702	1/2	10/100	1/2	2 3/16	2	3 5/8	11.47
50703	3/4	5/60	3/4	2 7/8	2 1/16	3 5/8	27.01
50704	1	5/40	1	3 1/2	2 3/8	4 3/8	49.30
50705	1 1/4	4/28	1 1/4	3 7/8	2 3/4	5 5/8	114.03
50706	1 1/2	4/20	1 1/2	4 1/2	3	5 5/8	168.48
50707	2	2/12	2	5 1/2	3 3/4	6 3/8	255.75

Cv The number of gallons of water per minute that pass through the valve at a 1lb pressure drop.