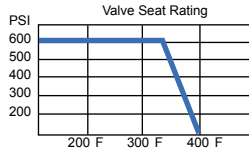


4470 SERIES

**FULL PORT FORGED BRASS BALL VALVES
IPS (600 WOG/150 WSP) - ISO 9001**

Designed for residential, commercial and industrial use with water, oil or gas and can be used with natural, manufactured, mixed, liquefied petroleum and LP gas/air mixtures. Heavy forged brass body. Hard chrome plated brass ball with Teflon® seats. This approved Webstone valve is actuated by a blow-out proof stem with a Teflon® seal that features an adjustable packing nut. Vinyl coated stamped steel handle.



all Teflon® seated valves
Maximum Temperature is 400°F @ 100 PSI

PRESSURE RATING
600 WOG non-shock
150 WSP

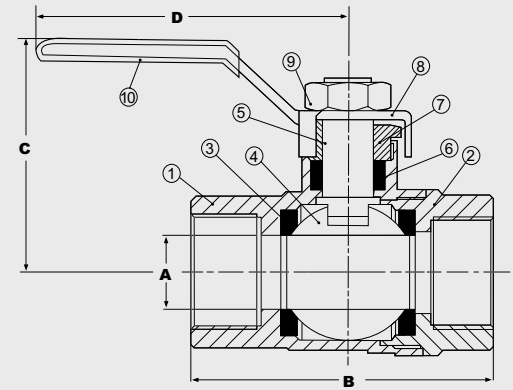
1. CGA design certified.
2. UL listed
3. CSA (Canadian Standards Association)
Meets both Canadian and US standards for use with petroleum and natural gas mixtures
4. Conforms to Federal Spec. WWV-35C
5. Threaded ends comply with ANSI B1 20.1
6. Teflon® seats withstand temperatures from -40°F to 400°F
7. Manufactured in an ISO 9001 Facility

Teflon® is a registered trademark of Dupont.

THIS SPACE FOR DESIGNER / ENGINEER APPROVAL

Job/Customer _____	Date _____	Contractor _____
Model Specified _____	Qty _____	Approved By _____
Designer/Engineer _____	Date _____	Contractor's PO # _____
Submitted by _____	Date _____	Other _____

1. BODY	FORGED BRASS (ASTM B283-C37700)
2. END CAP	FORGED BRASS (ASTM B283-C37700)
3. SEATS	TEFLON® (PTFE)
4. BALL	BRASS/HARD CHROME PLATE
5. STEM	BRASS (ASTM B124-C37700)
6. STEM SEAL	TEFLON® (PTFE)
7. PACKING GLAND	BRASS (ASTM B124-C37700)
8. LEVER HANDLE	C.P. STEEL
9. NUT	BRASS (ASTM B124-C37700)
10. HANDLE JACKET	VINYL GRIP



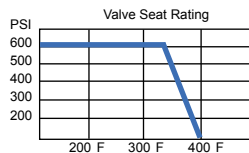
ITEM	SIZE	CTN/CS	A	B	C	D	C _v
44700	1/4	10/120	3/16	1 3/4	1 3/4	3 1/2	7.68
44701	3/8	10/120	3/8	1 3/4	1 3/4	3 1/2	7.80
44702	1/2	10/100	9/16	2 1/16	1 15/16	3 5/8	11.47
44703	3/4	10/60	3/4	2 3/8	2 1/4	4 3/8	27.01
44704	1	6/48	1	2 3/4	2 1/2	4 3/8	49.30
44705	1 1/4	4/32	1 1/4	3 1/4	2 7/8	5 3/4	114.03
44706	1 1/2	2/24	1 1/2	3 5/8	3 1/8	5 3/4	161.30
44707	2	2/16	2	4 7/16	3 3/8	5 3/4	248.61

Cv The number of gallons of water per minute that pass through the valve at a 1lb pressure drop.

5470 SERIES

**FULL PORT FORGED BRASS BALL VALVES
CxC (600 WOG/150 WSP) - ISO 9001**

Designed for residential, commercial and industrial use with water, oil or gas (not recommended or approved for use with flammable gas). Heavy forged brass body. Hard chrome plated brass ball with Teflon® seats. This approved Webstone valve is actuated by a blowout proof stem with a Teflon® seal that features an adjustable packing nut. Vinyl coated stamped steel handle.



All Teflon® seated valves
Maximum Temperature is 400°F @ 100 PSI

PRESSURE RATING
600 WOG non-shock
150 WSP

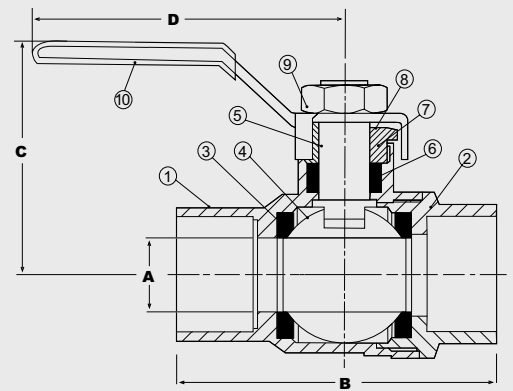
1. UL listed
2. CSA (Canadian Standards Association)
Meets both Canadian and US standards for use with petroleum and natural gas mixtures
3. Conforms to Federal Spec. WWV-35C
4. Soldered ends comply with ANSI B16.18
5. Teflon® seats withstand temperatures from -40°F to 400°F
6. Manufactured in an ISO 9001 Facility

Teflon® is a registered trademark of Dupont.

THIS SPACE FOR DESIGNER / ENGINEER APPROVAL

Job/Customer _____	Date _____	Contractor _____
Model Specified _____	Qty _____	Approved By _____
Designer/Engineer _____	Date _____	Contractor's PO # _____
Submitted by _____	Date _____	Other _____

1. BODY	FORGED BRASS (ASTM B283-C37700)
2. END CAP	FORGED BRASS (ASTM B283-C37700)
3. SEATS	TEFLON® (PTFE)
4. BALL	BRASS/HARD CHROME PLATE
5. STEM	BRASS (ASTM B124-C37700)
6. STEM SEAL	TEFLON® (PTFE)
7. PACKING GLAND	BRASS (ASTM B124-C37700)
8. LEVER HANDLE	C.P. STEEL
9. NUT	BRASS (ASTM B124-C37700)
10. HANDLE JACKET	VINYL GRIP



ITEM	SIZE	CTN/CS	A	B	C	D	C _v
54702	1/2	10/100	9/16	2 3/16	1 13/16	3 1/2	11.47
54703	3/4	10/60	3/4	2 13/16	2 1/8	4 1/2	27.01
54704	1	6/48	1	3 1/4	2 3/16	4 1/2	49.30
54705	1 1/4	4/32	1 1/4	2 13/16	2 5/8	5 3/4	114.03
54706	1 1/2	2/24	1 1/2	4 3/8	2 7/8	5 3/4	161.30
54707	2	2/16	2	5 3/8	3 1/4	5 3/4	248.61

Cv The number of gallons of water per minute that pass through the valve at a 1lb pressure drop.