

2156 SERIES & 2153 SERIES & 2154 SERIES

**FORGED BRASS CGA GAS BALL VALVES
IPS - (1/2 WOG to 175 WOG) - ISO 9002**

Designed for use with natural, manufactured, mixed, liquefied petroleum and LP gas/air mixtures. Heavy duty forged brass body. Extra hard chrome plated solid brass ball with Teflon® seats. The valve is actuated by a blowout proof stem sealed with Viton® o-rings. Handle is constructed of cast aluminum with multiple configurations to satisfy local code regulations. Lever handle features a locking device.



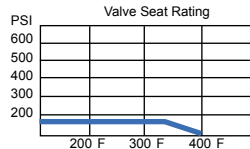
**2156 SERIES
LEVER HANDLE**



**2153 SERIES
TEE HANDLE**



**2154 SERIES
SQUARE HEAD**

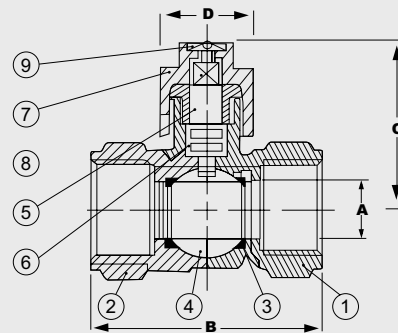
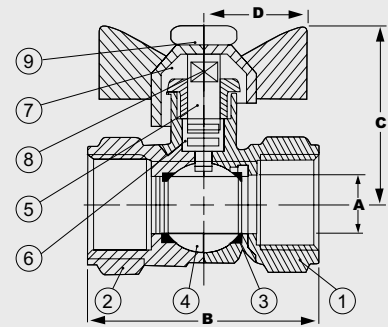
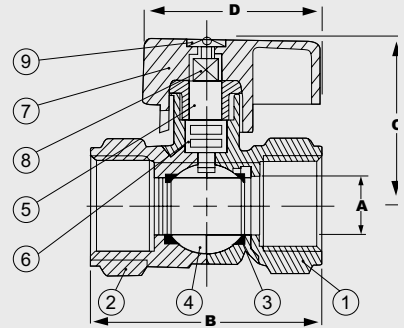


a1 Teflon® seated valves
Maximum Temperature is 400°F @ 100 PSI

PRESSURE RATING
1/2 WOG TO 175 WOG

1. CGA design certified
2. UL listed
3. CSA (Canadian Standards Association)
Meets both Canadian and US standards for use with petroleum and natural gas mixtures
4. Threaded ends comply with ANSI B1.20.1
5. Teflon® seats withstand temperatures from -40°F to 400°F
6. Manufactured in an ISO 9002 Facility
7. ANSI 2.21.15 for use as a gas appliance connector valve for 1/2 lb. system

1.	BODY	FORGED BRASS (ASTM B283-C37700)
2.	END CAP	FORGED BRASS (ASTM B283-C37700)
3.	SEATS	TEFLON® (PTFE)
4.	BALL	BRASS / HARD CHROME PLATE
5.	STEM	BRASS (ASTM B124-C37700)
6.	O-RING	VITON®
7.	LEVER HANDLE	ALUMINUM
8.	WASHER	BRASS (ASTM B124-C37700)
9.	SCREW	BRASS



ITEM	SIZE	CTN /CS	A	B	C	D
LEVER						
21562	1/2	12/144	7/16	2 3/16	1 5/16	1 3/16
21563	3/4	12/96	9/16	2 3/8	1 5/8	1 3/16
21564	1	6/60	3/4	2 7/8	1 3/4	1 3/16
TEE						
21532	1/2	12/144	3/8	2 1/4	1 3/8	1
21533	3/4	12/96	9/16	2 3/8	1 3/4	1
21534	1	6/60	3/4	2 7/8	1 3/4	1
SQUARE HEAD						
21542	1/2	12/144	3/8	2 3/16	1 1/2	1/2
21543	3/4	12/144	9/16	2 1/2	1 1/2	1/2
21544	1	6/60	3/4	2 7/8	1 7/16	9/16

Teflon® is a registered trademark of Dupont.

THIS SPACE FOR DESIGNER / ENGINEER APPROVAL

Job/Customer _____ Date _____ Contractor _____
 Model Specified _____ Qty _____ Approved By _____
 Designer/Engineer _____ Date _____ Contractor's PO # _____
 Submitted by _____ Date _____ Other _____