

1153 SERIES

STEAM ANGLE RADIATOR GLOBE VALVE WITH UNION NUT AND TAILPIECE - IPS - ISO 9001

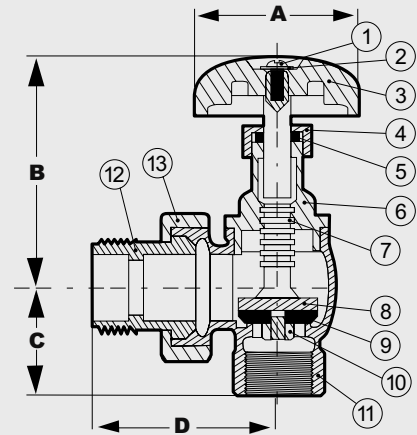
Designed for residential and commercial use for steam heating systems. May also be used for hot water systems in some applications. This angle globe valve features all brass construction with a ground joint union connection.



PRESSURE RATING
60 PSI

- 1. Threaded ends comply with ANSI B1.20.1
- 2. Manufactured in an ISO 9001 Facility

1.	HANDLE BOLT	HOT ROLLED (SAE 1010R)
2.	NAME PLATE	ALUMINIUM (A1100)
3.	HAND-WHEEL	PHENOLIC
4.	PACKING NUT	BRASS (ASTM-UNS B16 C36000)
5.	PACKING GLAND	TEFLON® (PTFE)
6.	BONNET	BRASS (ASTM-UNS B16 C36000)
7.	STEM	BRASS (ASTM-UNS B16 C36000)
8.	SEAT HOLDER	BRASS (ASTM-UNS B584 C85710)
9.	SEAT PACKING	RUBBER (SAE NO 1052#)
10.	SEAT NUT	BRASS (ASTM-UNS B16 C36000)
11.	BODY	BRASS (ASTM-UNS B16 C36000)
12.	NIPPLE	BRASS (ASTM-UNS B16 C36000)
13.	NIPPLE NUT	BRASS (ASTM-UNS B16 C36000)



ITEM	SIZE	CTN/CS	A	B	C	D
11533	3/4	6/60	2 5/16	2 3/4	1 1/8	2 9/16
11534	1	4/36	2 5/16	3 1/16	1 1/4	2 13/16
11535	1 1/4	2/24	2 5/16	3 5/16	1 7/16	3 3/16
11536	1 1/2	2/16	2 5/16	3 7/16	1 11/16	3 9/16

Teflon® is a registered trademark of Dupont.

THIS SPACE FOR DESIGNER / ENGINEER APPROVAL

Job/Customer _____	Date _____	Contractor _____
Model Specified _____	Qty _____	Approved By _____
Designer/Engineer _____	Date _____	Contractor's PO # _____
Submitted by _____	Date _____	Other _____

1153-E SERIES

UNION ELBOWS FOR RADIATOR VALVES FIP x MIP - ISO 9001

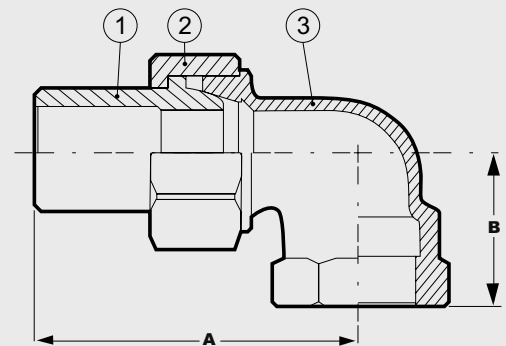
Designed for residential and commercial use with approved brass radiator valves in steam and hot water heating systems. Allows for easy removal or relocation of hydronic radiators. Union is a brass to brass ground joint connection.



PRESSURE RATING
60 PSI

- 1. Threaded ends comply with ANSI B1.20.1
- 2. Manufactured in an ISO 9001 Facility

1.	NIPPLE	BRASS (ASTM-UNS B124 C37700)
2.	NIPPLE NUT	BRASS (ASTM-UNS B124 C37700)
3.	BODY	BRASS (ASTM-UNS B584 C85710)



ITEM	SIZE	CTN/CS	A	B
11533-E	3/4	20/120	2 1/2	1 5/16
11534-E	1	20/120	2 7/8	1 3/8
11535-E	1 1/4	20/120	3 3/8	1 3/4

THIS SPACE FOR DESIGNER / ENGINEER APPROVAL

Job/Customer _____	Date _____	Contractor _____
Model Specified _____	Qty _____	Approved By _____
Designer/Engineer _____	Date _____	Contractor's PO # _____
Submitted by _____	Date _____	Other _____