

1153-T SERIES

**UNION TAILPIECE FOR RADIATOR VALVES
IPS - ISO 9001**

Designed for residential and commercial use with approved brass radiator valves in hydronic heating systems. Allows for easy removal or relocation of hydronic radiators. Union is a brass to brass ground joint connection.



PRESSURE RATING

60 PSI

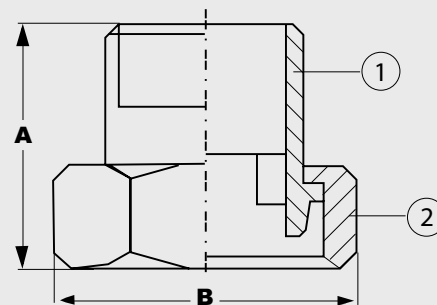
- 1. Threaded ends comply with ANSI B1.20.1
- 2. Manufactured in an ISO 9001 Facility

Teflon® is a registered trademark of Dupont.

THIS SPACE FOR DESIGNER / ENGINEER APPROVAL

Job/Customer _____	Date _____	Contractor _____
Model Specified _____	Qty _____	Approved By _____
Designer/Engineer _____	Date _____	Contractor's PO # _____
Submitted by _____	Date _____	Other _____

1.	NIPPLE	BRONZE (B564 C8440)
2.	NIPPLE NUT	BRONZE (B564 C8440)



ITEM	SIZE	CTN/CS	A	B
11533-T	3/4	20/120	1 5/8	1 11/16
11534-T	1	20/120	1 3/4	1 15/16
11535-T	1 1/4	20/120	1 15/16	2

1140 SERIES

BRASS HARD SEAT TANK VALVES - ISO 9001

Designed for residential and commercial use on oil. Tanks delivering gravity fed heating fuel to oil fired boilers. Globe valve construction. Cast iron handle.



PRESSURE RATING

125 PSI

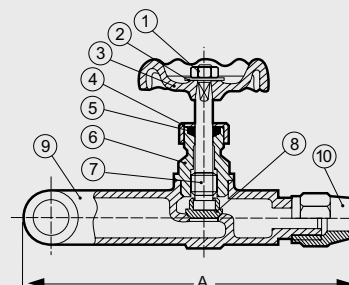
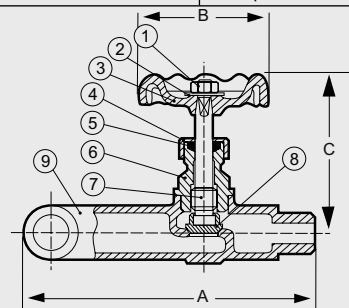
- 1. Threaded ends comply with ANSI B1.20.1
- 2. Manufactured in an ISO 9001 Facility

Teflon® is a registered trademark of Dupont.

THIS SPACE FOR DESIGNER / ENGINEER APPROVAL

Job/Customer _____	Date _____	Contractor _____
Model Specified _____	Qty _____	Approved By _____
Designer/Engineer _____	Date _____	Contractor's PO # _____
Submitted by _____	Date _____	Other _____

1.	HANDLE NUT	HOT ROLLED (SAE 1010R)
2.	NAME PLATE	ALUMINIUM (A1100)
3.	HAND-WHEEL	CAST IRON (JIS ZZ2202)
4.	PACKING NUT	BRASS (ASTM-UNS B16 C36000)
5.	PACKING	TEFLON® (PTFE)
6.	BONNET	BRASS (ASTM-UNS B16 C36000)
7.	STEM	BRASS (ASTM-UNS B16 C36000)
8.	DISC	BRASS (ASTM-UNS B16 C36000)
9.	BODY	BRASS (ASTM-UNS B584 C85710)
10.	FLARE NUT	BRASS (ASTM-UNS B16 C36000)



ITEM	SIZE	CTN/CS	A	B	C
11401	1/2 MIP x 3/8 MIP	6/60	2 5/16	2 3/4	1 1/8
11403	1/2 MIP x 3/8 Flare	4/36	2 5/16	3 1/16	1 1/4