

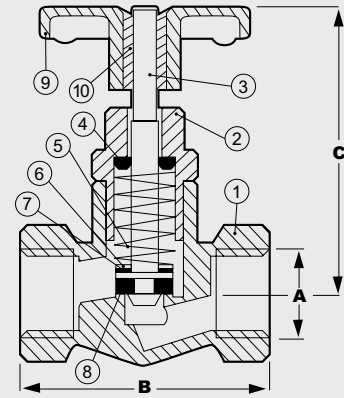
**11207**

**FORGED BRASS FUSIBLE VALVES  
(165° FAHRENHEIT FUSIBLE HAND WHEEL) - ISO 9001**

Designed for residential and commercial use. These valves feature a spring loaded reverse threaded stem and a fusible hand-wheel that releases and closes the valve at 165° Fahrenheit. These approved valves are typically used for fire safety when delivering heating fuel to a boiler. Handles feature a brass fusible threaded insert and are reverse threaded onto a spring loaded stem. Replacement handles available.



1.	BODY	FORGED BRASS (ASTM B283-C37700)
2.	BONNET NUT	FORGED BRASS (ASTM B283-C37700)
3.	STEM	FORGED BRASS (ASTM B124-C37700)
4.	O-RING	NBR
5.	SPRING	CARBON STEEL
6.	WASHER	ALUMINUM
7.	WASHER	PAPER FIBER
8.	SEAT	WATER RESISTANT FIBER
9.	HAND-WHEEL	NICKEL PLATED, COPPER PLATED ALUMINUM
10.	BRASS INSERT	BRASS (ASTM B124-C37700) - NICKEL PLATED



ITEM	DISC.	CTN/CS	A	B	C
11207	3/8 FIP x 3/8 FIP	12/144	5/8	1 17/16	2 1/4
11220	FUSIBLE HANDWHEEL	BULK	N/A	N/A	N/A

**THIS SPACE FOR DESIGNER / ENGINEER APPROVAL**

Job/Customer _____	Date _____	Contractor _____
Model Specified _____	Qty _____	Approved By _____
Designer/Engineer _____	Date _____	Contractor's PO # _____
Submitted by _____	Date _____	Other _____

**1111 & 1112 SERIES**

**GAS LOG LIGHTER VALVES WITH KEY  
IPS - CGA CERTIFIED - ISO 9001**

Designed for residential use in or around a fireplace. These approved valves feature a removable key to avoid accidental activation.

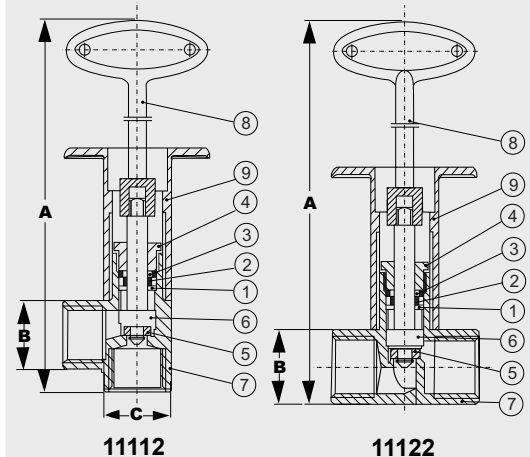


11112



11122

1.	WASHER	SUS
2.	O-RING	NBR
3.	PACKING	TEFLON® (PTFE)
4.	PACKING GLAND	BRASS (ASTM B124-C37700)
5.	SEAT	NYLON
6.	STEM	BRASS (ASTM B124-C37700)
7.	BODY	FORGED BRASS (ASTM B283-C37700)
8.	KEY	C.P. ZINC
9.	FLAT ESCUTCHEON	C.P. ZINC



ITEM	SIZE	CTN/CS	A	B	C
11112	1/2 Angle	1/36	6 1/8	1/2	1/2
11122	1/2 Straight	1/36	6	1/2	NA

**THIS SPACE FOR DESIGNER / ENGINEER APPROVAL**

Job/Customer _____	Date _____	Contractor _____
Model Specified _____	Qty _____	Approved By _____
Designer/Engineer _____	Date _____	Contractor's PO # _____
Submitted by _____	Date _____	Other _____

Teflon® is a registered trademark of Dupont.