

**20103**

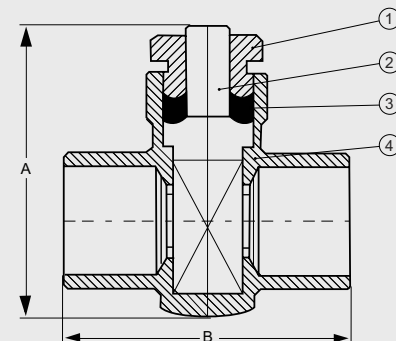
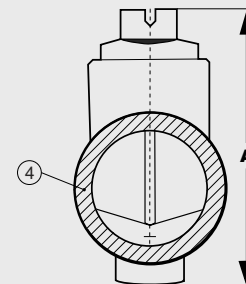
**BRASS BALANCING VALVE  
BUTTERFLY ACTION - CxC - ISO 9001**

Designed for residential and commercial use to regulate flow. Ideal for use in hydronic closed loop heating systems. Regulates flow in multiple or single zone applications. Butterfly action diminishes noise and chatter in the system often encountered with gate valve use. Screwdriver slot actuation minimizes unintended adjustment. For use in 3/4" copper piping lines.



**PRESSURE RATING**  
125 PSI  
Solder ends comply with ANSI B16.18

1.	PACKING GLAND	BRASS (ASTM B124-C37700)
2.	STEM	BRASS (ASTM B124-C37700)
3.	STEM SEAL	NBR
4.	BODY	BRASS (ASTM B124-C37700)



ITEM	SIZE	CTN/CS	A	B
20103	3/4	12/72	2 5/16	2 1/4

**THIS SPACE FOR DESIGNER / ENGINEER APPROVAL**

Job/Customer \_\_\_\_\_ Date \_\_\_\_\_ Contractor \_\_\_\_\_  
 Model Specified \_\_\_\_\_ Qty \_\_\_\_\_ Approved By \_\_\_\_\_  
 Designer/Engineer \_\_\_\_\_ Date \_\_\_\_\_ Contractor's PO # \_\_\_\_\_  
 Submitted by \_\_\_\_\_ Date \_\_\_\_\_ Other \_\_\_\_\_

**11603**

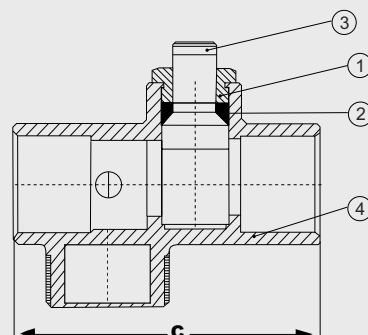
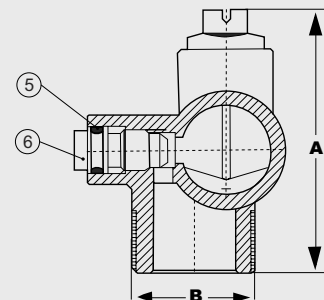
**BRASS PURGE & BALANCING VALVE  
BUTTERFLY ACTION - CxC - ISO 9001**

Designed for residential and commercial use to regulate flow. Ideal for use in hydronic closed loop heating systems. Regulates flow in multiple or single zone applications. Butterfly action diminishes noise and chatter in the system often encountered with gate valve use. Screwdriver slot actuation minimizes unintended adjustment. For use in 3/4" copper piping lines. Additionally, this valve includes a purge feature to easily eliminate the air in the system which frequently causes poor water circulation, noise and undue wear and tear on any hydronic system.



**PRESSURE RATING**  
125 PSI  
1. Solder ends comply with ANSI B16.18  
2. Hose threads comply with ANSI B1.20.7

1.	PACKING GLAND	BRASS (ASTM B124-C37700)
2.	STEM SEAL	NBR
3.	STEM	BRASS (ASTM B124-C37700)
4.	BODY	BRASS (ASTM B124-C37700)
5.	O-RING	NBR
6.	DRAIN STEM	BRASS (ASTM B124-C37700)



ITEM	SIZE	CTN/CS	A	B	C
11603	3/4	12/72	2 3/8	1 7/8	2 3/4

**THIS SPACE FOR DESIGNER / ENGINEER APPROVAL**

Job/Customer \_\_\_\_\_ Date \_\_\_\_\_ Contractor \_\_\_\_\_  
 Model Specified \_\_\_\_\_ Qty \_\_\_\_\_ Approved By \_\_\_\_\_  
 Designer/Engineer \_\_\_\_\_ Date \_\_\_\_\_ Contractor's PO # \_\_\_\_\_  
 Submitted by \_\_\_\_\_ Date \_\_\_\_\_ Other \_\_\_\_\_