

1151 SERIES

**STEAM RADIATOR AIR VENT VALVES
FLOAT TYPE - NON VACUUM
ISO 9002**

Designed for residential and commercial use. These valves are used on steam radiators, convectors, and steam mains. They feature a brass body with either a straight or angle connection and a brass float. Models are non vacuum and float type. All models are non-adjustable except the 11515-A that is adjustable and provides rapid venting.

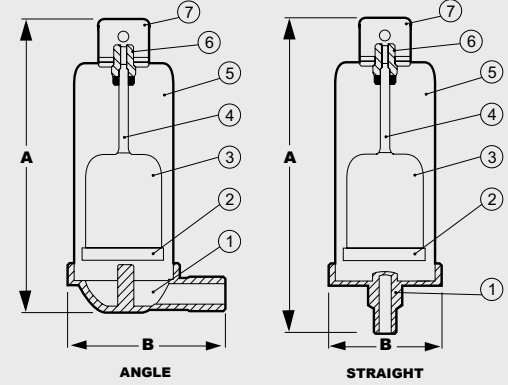


PRESSURE RATING
10 PSI

THIS SPACE FOR DESIGNER / ENGINEER APPROVAL

Job/Customer _____	Date _____	Contractor _____
Model Specified _____	Qty _____	Approved By _____
Designer/Engineer _____	Date _____	Contractor's PO # _____
Submitted by _____	Date _____	Other _____

1.	THREADED INTLET	C.P. BRASS (ASTM B124-C37700)
2.	FLOATER CAP	BRONZE
3.	FLOATER	BRASS SHEET
4.	PISTON	BRASS SHEET
5.	BODY	C.P. BRASS SHEET
6.	ADJUSTABLE SCREW	BRASS (ASTM B124-C37700)
7.	VENT COLLAR	C.P. BRASS SHEET



ITEM	SIZE	CTN/CS	A	B
11511	1/8 ANGLE	1/72	3 1/8	1 11/16
11512	1/8 STRAIGHT	1/72	3 1/2	1 1/4
11513	1/4 STRAIGHT	1/72	3 9/16	1 1/8
11514	3/4 STRAIGHT	1/72	3 1/2	1 1/4
11515-A	1/8 ANGLE ADJ	1/72	3 1/4	1 3/4

1151 SERIES

**FORGED BRASS AUTO STEAM VENT VALVES
IPS - ISO 9002**

Designed for residential and commercial heating applications for use in hot water baseboard. Allows bleeding of air from the system and protects the system from damage due to thermal expansion because of the spring loaded ball design. These valves provide manual or automatic air venting in radiators, convectors, baseboards, or high points in piping systems. Manufactured from extruded brass bar stock and features a stainless steel check ball and spring. Ideal for hot water and low pressure steam systems.

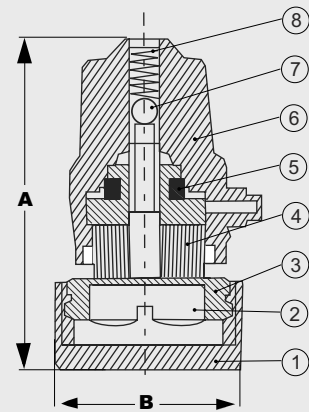


PRESSURE RATING
125 PSI

THIS SPACE FOR DESIGNER / ENGINEER APPROVAL

Job/Customer _____	Date _____	Contractor _____
Model Specified _____	Qty _____	Approved By _____
Designer/Engineer _____	Date _____	Contractor's PO # _____
Submitted by _____	Date _____	Other _____

1.	HAND-WHEEL	HEAT RESISTANT ABS PLASTIC
2.	DISC BEARING COVER	BRASS (ASTM-UNS B16 C36000)
3.	DISC HOLDER	BRASS (ASTM-UNS B16 C36000)
4.	DISC	FIBER
5.	O-RING	NEOPRENE
6.	BODY	BRASS (ASTM-UNS B16 C36000)
7.	CHECK BALL	STEEL (304SS)
8.	SPRING	STEEL (304SS)



ITEM	SIZE	CTN/CS	A	B
11516	1/8	50/500	1 5/16	11/16
11517	1/4	50/500	15/16	11/16