

11543

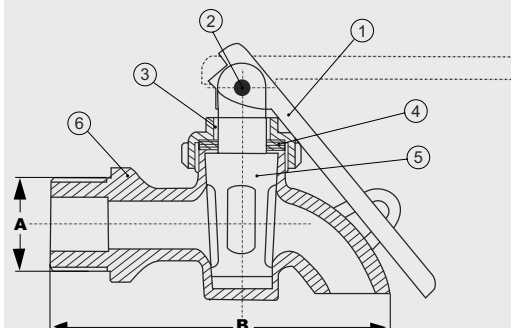
**BARREL FAUCET WITH PLUG VALVE DESIGN
HEAVY PATTERN FORGED BRASS - IPS**

Designed for commercial and industrial use for barrel and bulk dispensing needs. This Webstone approved forged brass barrel faucet has a 3/4" NPT connection and features a lockable handle. Ideal for use with oils and solvents.



PRESSURE RATING
125 PSI

1.	LEVER HANDLE	STAMPED STEEL
2.	HANDLE PIN	STEEL
3.	SEAT	FIBER
4.	WASHER	NBR
5.	PLUG	BRASS (ASTM B124-C37700)
6.	BODY	BRASS (ASTM B124-C37700)



ITEM	SIZE	CTN/CS	A	B
11543	3/4	10/60	3/4	3 3/4

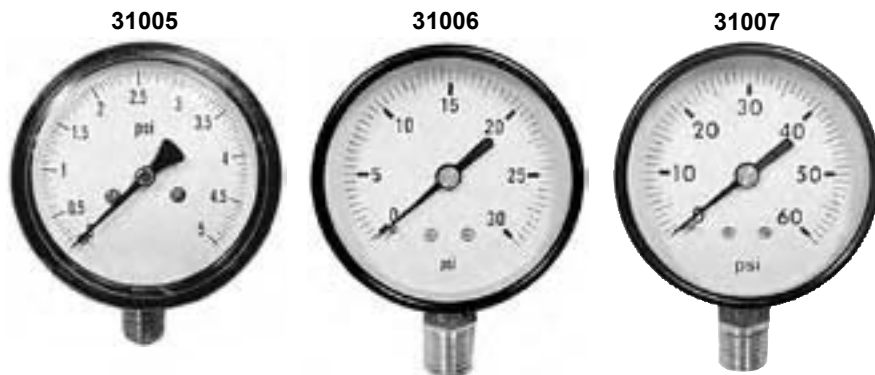
THIS SPACE FOR DESIGNER / ENGINEER APPROVAL

Job/Customer _____	Date _____	Contractor _____
Model Specified _____	Qty _____	Approved By _____
Designer/Engineer _____	Date _____	Contractor's PO # _____
Submitted by _____	Date _____	Other _____

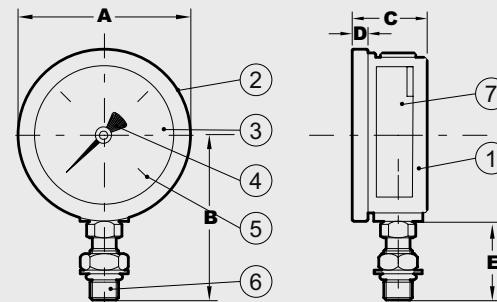
31005 - 31007 SERIES

**PRESSURE GAUGE - 2 1/2" DIAL - 1/4" NPT
BRASS CONNECTION - ISO 9002**

Designed for residential, commercial and institutional HVAC applications. They feature a corrosion resistant steel case, a clear polymer window, 1/4" NPT connection, and a copper sensory element. Accuracy is ASME, type B.



1.	CASE	STAMPED STEEL, BLACK CORROSION RESISTANT PAINT
2.	RING	STAMPED STEEL, BLACK CORROSION RESISTANT PAINT
3.	WINDOW	PLASTIC
4.	INDICATING POINTER	STAMPED STEEL, BLACK CORROSION RESISTANT PAINT
5.	DIAL	STEEL
6.	CONNECTION	BRASS (ASTM B124-C37700)
7.	TEMPERATURE ELEMENT	HELICAL BI-METAL ELEMENT ENCLOSED IN A BRASS BULB



ITEM	PSI	CTN/CS	A	B	C	D	E
31005	0-5	1/60	2 5/8	2 3/16	1 15/16	1/8	7/8
31006	0-30	1/100	2 1/2	2 1/8	1 3/16	3/4	7/8
31007	0-60	1/100	2 1/2	2 1/8	1 3/16	3/4	7/8

THIS SPACE FOR DESIGNER / ENGINEER APPROVAL

Job/Customer _____	Date _____	Contractor _____
Model Specified _____	Qty _____	Approved By _____
Designer/Engineer _____	Date _____	Contractor's PO # _____
Submitted by _____	Date _____	Other _____