

20702 - 20703 SERIES

**PRESSURE RELIEF VALVES
BRASS - IPS - ISO 9002**

Designed for residential and commercial use. These pressure relief valves are self-actuated safety valves designed to open and relieve excess pressure in a plumbing system and then close again when the pressure drops to a preset value.



20703
PRESSURE RATING
80 PSI

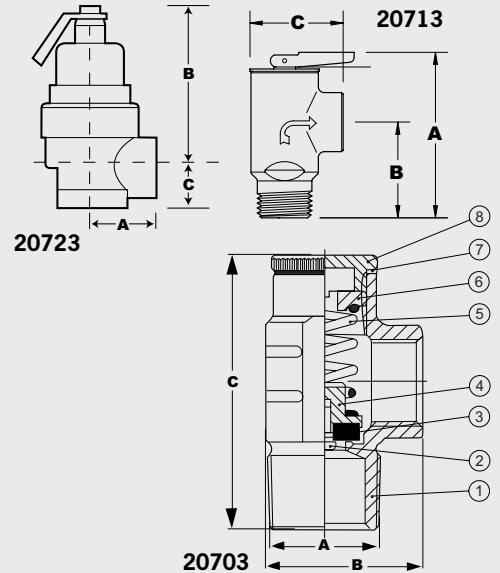


20713
PRESSURE RATING
150 PSI
ASME Listed
200,000 BTU



20723
PRESSURE RATING
150 PSI
ASME Listed
2,703,000 BTU

1.	BODY	BRASS (ASTM-UNS B584 C85710)
2.	SEAT SCREW	BRASS (C37700)
3.	SEAT WASHER	RUBBER (SAE NO 1052#)
4.	SEAT HOUSING	BRASS (C37700)
5.	SPRING	STAINLESS STEEL (304)
6.	SPRING CUP	BRASS (C37700)
7.	PACKING	RUBBER (SAE NO 1052#)
8.	END CAP	BRASS (C37700)



ITEM	SIZE	CTN/CS	A	B	C
20702	1/2	10/150	1/2	1 7/16	2 1/2
20703	3/4	10/150	3/4	1 7/16	2 1/2
20713	3/4 MIP x FIP	BLK/100	3 5/16	1 3/4	1 7/8
20723	3/4 FIP	1/24	1 1/2	3 1/2	1 1/16

THIS SPACE FOR DESIGNER / ENGINEER APPROVAL

Job/Customer _____ Date _____ Contractor _____
 Model Specified _____ Qty _____ Approved By _____
 Designer/Engineer _____ Date _____ Contractor's PO # _____
 Submitted by _____ Date _____ Other _____

11710 & 11711-T

**HOT WATER HEATER DRAIN VALVE
HEAVY PATTERN BRASS - IPS 9001**

Hot water heater and boiler drain valves are designed for use in residential and commercial hydronic heating systems. They feature a brass body construction with a 3/4" hose connection on outlet side.

11711-T
RECIRCULATING ELBOW
IPS x IPS x HOSE



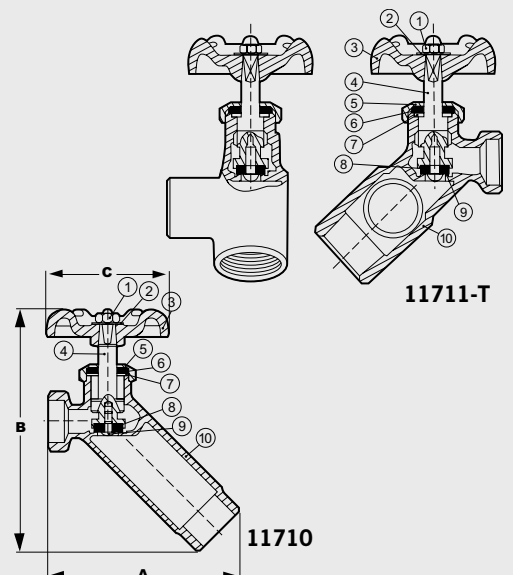
11710
IPS x HOSE



PRESSURE RATING
200 PSI

1. Threaded ends comply with B1 20.1
2. Hose threads comply with B1.20.7
3. Manufactured in an ISO 9001 facility

1.	HANDLE NUT	BRASS (ASTM B124-C37700)
2.	NAME PLATE	ALUMINUM
3.	HANDLE	CAST IRON
4.	BONNET	BRASS
5.	PACKING	RUBBER
6.	WASHER	STEEL 304 SS
7.	STEM	BRASS (ASTM B124-C37700)
8.	SEAT PACKING	RUBBER
9.	SEAT SCREW	BRASS (ASTM B124-C37700)
10.	BODY	BRASS (ASTM B124-C37700)



ITEM	SIZE	CTN/CS	A	B	C
11710	3/4	12/72	3 5/16	4 1/4	2 1/16
11711-T	3/4	12/72	3 1/4	3 13/16	2 1/16

THIS SPACE FOR DESIGNER / ENGINEER APPROVAL

Job/Customer _____ Date _____ Contractor _____
 Model Specified _____ Qty _____ Approved By _____
 Designer/Engineer _____ Date _____ Contractor's PO # _____
 Submitted by _____ Date _____ Other _____