

CHOOSE THE PRO-PAL® SOLUTION FOR LIFE!

Choosing the PRO-PAL® series of valves is the best choice for cost, efficiency, operation and function. Check the quality and compare them with traditional methods of building a plumbing system. You will find that there is no comparison for the PRO-PAL® Series valves. These valves are so innovative that they even come with peace of mind built-in because every Webstone product is covered by the Web Warranty. Simply stated; our products are guaranteed for life or we will replace them free of charge. Choosing Webstone products for all of your Plumbing needs is the smartest decision you will ever make. So instead of just building your next piping system, why not innovate it with Webstone PRO-PAL® Series Valves.

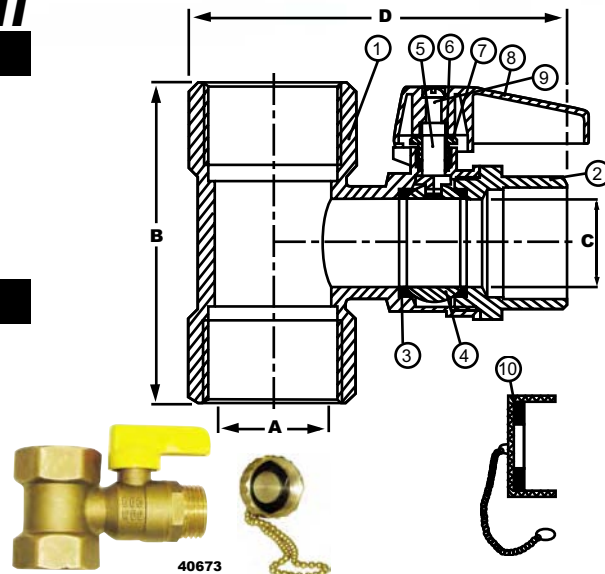


FORGED BRASS TEES WITH HI-FLOW BALL VALVE DRAIN (600WOG/150 ISP)

IPS X HOSE 40672-40677

ITEM	SIZE	CTN/CS	A	B	C	D
40672	1/2	10/80	1/2	1 15/16	3/8	2 3/4
40673	3/4	8/48	3/4	2 15/16	1/2	3 1/16
40674	1	8/48	1	2 5/16	1/2	3 5/16
40675	1 1/4	6/24	1 1/4	2 7/8	3/4	4
40676	1 1/2	4/24	1 1/2	2 7/8	3/4	4 5/16
40677	2	2/20	2	3	3/4	4 3/4

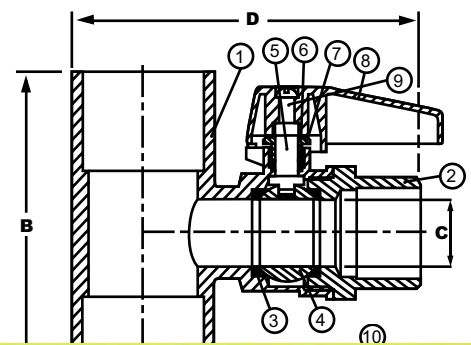
No.	Description	Quantity	Material
1.	BODY	1	FORGED BRASS (ASTM B283-C37700)
2.	CAP	1	FORGED BRASS (ASTM B283-C37700)
3.	SEATS	2	TEFLON® (PTFE)
4.	BALL	1	BRASS/HARD CHROME PLATE
5.	STEM	1	BRASS (ASTM B124-C37700)
6.	STEM SEAL	1	TEFLON® (PTFE)
7.	PACKING GLAND	1	BRASS (ASTM B124-C37700)
8.	LEVER HANDLE	1	ZINC w/EPOXY COATING
9.	HANDLE SCREW	1	BRASS (ASTM B124-C37700)
10.	CAP+CHAIN	1	BRASS (ASTM B124-C37700) w/NBR HOSE WASHER



CXC X HOSE 50672-50677

ITEM	SIZE	CTN/CS	A	B	C	D
50672	1/2	10/80	1/2	2	3/8	2 5/8
50673	3/4	8/48	3/4	2 5/16	1/2	2 15/16
50674	1	8/48	1	2 7/8	1/2	3 1/8
50675	1 1/4	6/24	1 1/4	7/16	3/4	3 3/4
50676	1 1/2	4/24	1 1/2	3 7/16	3/4	4 1/16
50677	2	2/20	2	3 5/8	3/4	4 1/2

No.	Description	Quantity	Material
1.	BODY	1	FORGED BRASS (ASTM B283-C37700)
2.	CAP	1	FORGED BRASS (ASTM B283-C37700)
3.	SEATS	2	TEFLON® (PTFE)
4.	BALL	1	BRASS/HARD CHROME PLATE
5.	STEM	1	BRASS (ASTM B124-C37700)
6.	STEM SEAL	1	TEFLON® (PTFE)
7.	PACKING GLAND	1	BRASS (ASTM B124-C37700)
8.	LEVER HANDLE	1	ZINC w/EPOXY COATING
9.	HANDLE SCREW	1	BRASS (ASTM B124-C37700)
10.	CAP+CHAIN	1	BRASS (ASTM B124-C37700) w/NBR HOSE WASHER



INNOVATIVE SOLUTIONS FOR THE INDUSTRY PROFESSIONAL

THE PRO-PAL® LINE CAN IMPROVE THE QUALITY OF YOUR WORK BY...

- Eliminating leak paths in the system
- Eliminating multiple fittings with reduced ports
- Shortening installation time
- Combining ease of installation with a higher pressure rating



PRO-PAL SERIES
STEP-SAVING VALVES FOR THE PROFESSIONAL

PATENT PENDING

Dedicated to making the professionals' life easier.



Webstone
Company, Inc.

GOODYEAR
RUBBER PRODUCTS INC.

Call Toll Free: **1-866-711-4673**
WebSales@GoodyearRubberProducts.com

We Ship World Wide