

PRO-PAL[®] SERIES

STEP-SAVING VALVES FOR THE PROFESSIONAL

PATENT PENDING

CREATE PROFESSIONAL LOOKING INSTALLATIONS WITH WEBSTONE'S PRO-PAL[®] SERIES VALVES

WHATEVER YOUR PROJECT, THERE IS A PRO-PAL[®] VALVE TO MAKE IT EASIER: PLUMBING SYSTEMS, HYDRONICS, RADIANT, IRRIGATION, AND INDUSTRIAL APPLICATIONS

Adding a PRO-PAL[®] valve will shorten installation time, save space, create less leak paths and make future servicing easier than ever before. Think about where you use tees, unions, drain ports, cleanouts or draw offs. Now add a Webstone PRO-PAL[®] valve in those areas and create a system that is better looking and more efficient than ever before.



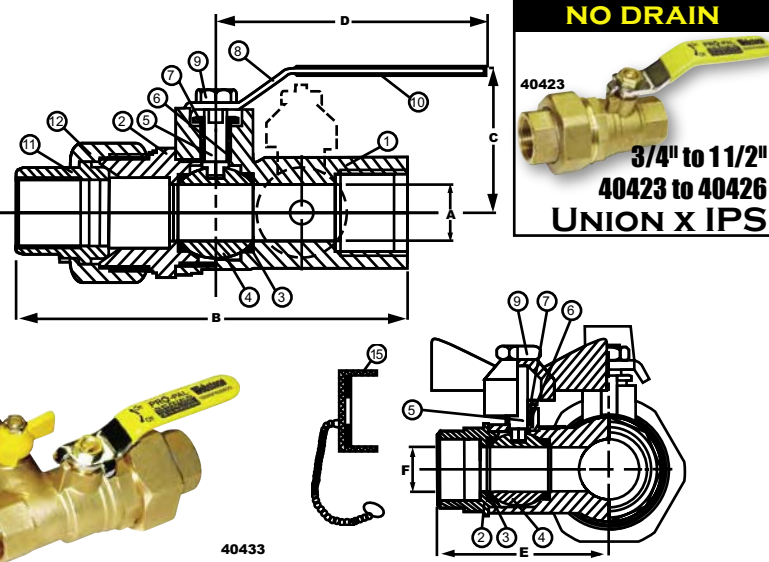
UNION BALL DRAIN

FULL PORT FORGED BRASS BALL VALVES WITH GROUND JOINT UNION CONNECTION AND HI-FLOW HOSE DRAIN REVERSIBLE HANDLE (600WOG/150WSP)

IPS UNION X IPS X HI-FLOW HOSE DRAIN 40433-40436

ITEM	SIZE	CTN/CS	A	B	C	D	E	F
40433	3/4	8/32	3/4	4 1/4	2 1/8	4	2 1/16	1/2
40434	1	6/24	1	4 7/8	2 3/8	4 11/16	2 1/2	1/2
40435	1 1/4	2/16	1 1/4	5 1/4	2 1/2	4 11/16	2 3/4	3/4
40436	1 1/2	2/16	1 1/2	5 5/8	2 7/8	5 3/8	3	3/4

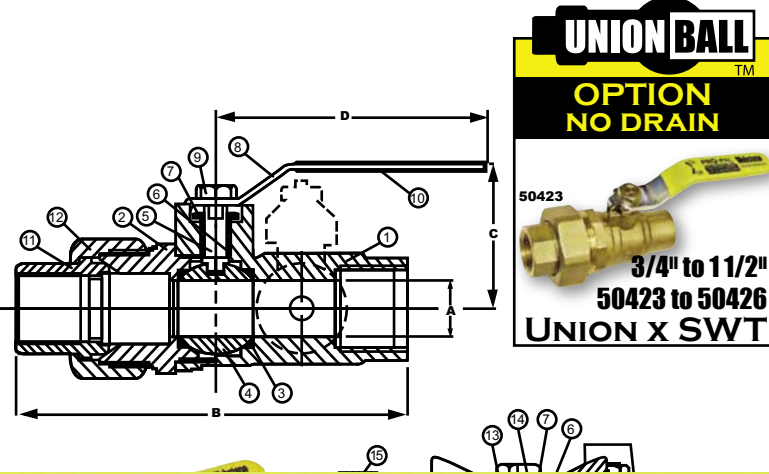
No.	Description	Quantity	Material
1.	BODY	1	FORGED BRASS (ASTM B283-C37700)
2.	END CAP	2	FORGED BRASS (ASTM B283-C37700)
3.	SEATS	4	TEFLON [®] (PTFE)
4.	BALL	2	BRASS / HARD CHROME PLATE
5.	STEM	2	BRASS (ASTM B124-C37700)
6.	STEM SEAL	2	TEFLON [®] (PTFE)
7.	PACKING GLAND	2	BRASS (ASTM B124-C37700)
8.	LEVER HANDLE	1	C.P. STEEL
9.	HANDLE NUT	1	BRASS PLATED STEEL
10.	HANDLE JACKET	1	VINYL GRIP
11.	UNION FITTING	1	BRASS (ASTM B124-C37700)
12.	UNION NUT	1	BRASS (ASTM B124-C37700)
13.	DRAIN VALVE TEE HANDLE	1	ZINC w/EPOXY COATING
14.	DRAIN VALVE HANDLE NUT	1	BRASS PLATED STEEL
15.	CAP + CHAIN	1	BRASS (ASTM B124-C37700) w/NBR HOSE WASHER



IPS UNION X SWT X HI-FLOW HOSE DRAIN 50433-50436

ITEM	SIZE	CTN/CS	A	B	C	D	E	F
50433	3/4	8/32	3/4	4 1/2	2 1/10	4	2 1/16	1/2
50434	1	6/24	1	4 1/5	2 3/8	4 11/16	2 1/2	1/2
50435	1 1/4	2/16	1 1/4	5 3/4	2 1/2	4 11/16	2 3/4	3/4
50436	1 1/2	2/16	1 1/2	6 1/16	2 7/8	5 3/8	3	3/4

No.	Description	Quantity	Material
1.	BODY	1	FORGED BRASS (ASTM B283-C37700)
2.	END CAP	2	FORGED BRASS (ASTM B283-C37700)
3.	SEATS	4	TEFLON [®] (PTFE)
4.	BALL	2	BRASS / HARD CHROME PLATE
5.	STEM	2	BRASS (ASTM B124-C37700)
6.	STEM SEAL	2	TEFLON [®] (PTFE)



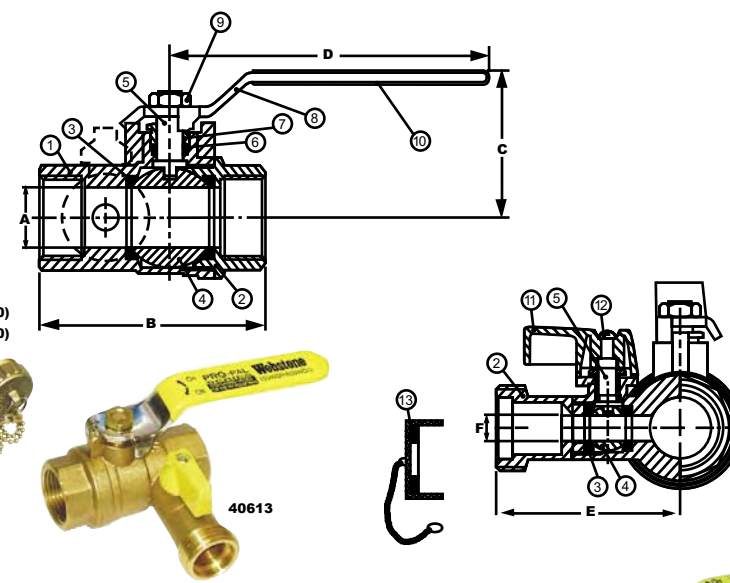
BALL DRAIN

FULL PORT FORGED BRASS BALL VALVES WITH HI-FLOW HOSE DRAIN REVERSIBLE HANDLE (600WOG/150WSP)

IPS X HI-FLOW HOSE DRAIN 40612-40617

ITEM	SIZE	CTN/CS	A	B	C	D	E	F
40612	1/2	10/100	1/2	2 1/2	1 6/8	3 3/8	2 1/4	3/8
40613	3/4	10/60	3/4	2 3/4	1 7/8	4 1/8	2 1/2	1/2
40614	1	6/48	1	3 3/8	2 1/4	4 7/8	2 3/4	1/2
40615	1 1/4	4/32	1 1/4	4	2 1/2	4 7/8	2 7/8	3/4
40616	1 1/2	2/24	1 1/2	4 3/8	2 6/8	5 3/8	3	3/4
40617	2	2/12	2	4 7/8	3 1/4	5 3/8	3 3/8	3/4

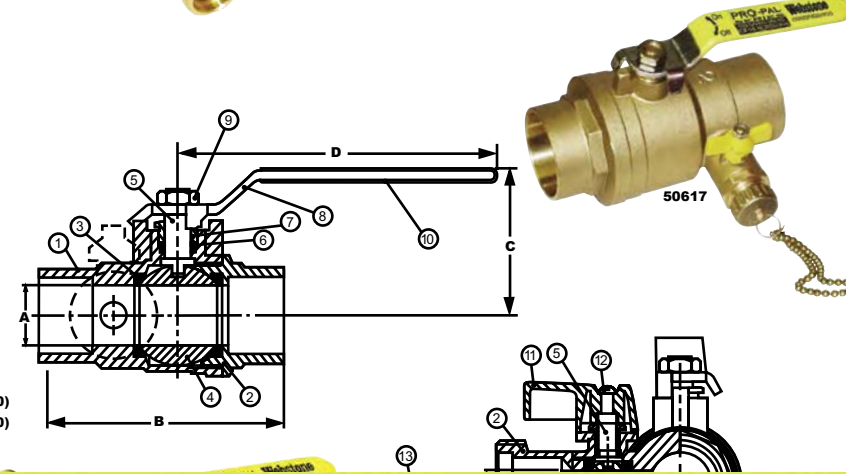
No.	Description	Quantity	Material
1.	BODY	1	FORGED BRASS (ASTM B283-C37700)
2.	END CAP	2	FORGED BRASS (ASTM B283-C37700)
3.	SEATS	4	TEFLON [®] (PTFE)
4.	BALL	2	BRASS / HARD CHROME PLATE
5.	STEM	2	BRASS (ASTM B124-C37700)
6.	STEM SEAL	2	TEFLON [®] (PTFE)
7.	PACKING GLAND	2	BRASS (ASTM B124-C37700)
8.	LEVER HANDLE	1	C.P. STEEL
9.	HANDLE NUT	1	BRASS PLATED STEEL
10.	HANDLE JACKET	1	VINYL GRIP
11.	DRAIN VALVE LEVER HANDLE	1	ZINC w/EPOXY COATING
12.	DRAIN VALVE HANDLE SCREW	1	STEEL
13.	CAP+CHAIN	1	BRASS (ASTM B124-C37700) w/NBR HOSE WASHER



CXC X HI-FLOW HOSE DRAIN 50612-50617

ITEM	SIZE	CTN/CS	A	B	C	D	E	F
50612	1/2	10/100	1/2	2 3/4	1 6/8	3 3/8	2 9/16	3/8
50613	3/4	10/60	3/4	3 1/4	1 3/4	4 1/8	2 3/8	1/2
50614	1	6/48	1	4	2 1/4	4 7/8	2 5/8	1/2
50615	1 1/4	4/32	1 1/4	4 7/8	2 5/8	4 7/8	2 7/8	3/4
50616	1 1/2	2/24	1 1/2	5 3/8	2 7/8	5 3/8	3	3/4
50617	2	2/12	2	6 1/8	3 1/4	5 3/8	3 3/8	3/4

No.	Description	Quantity	Material
1.	BODY	1	FORGED BRASS (ASTM B283-C37700)
2.	END CAP	2	FORGED BRASS (ASTM B283-C37700)
3.	SEATS	4	TEFLON [®] (PTFE)
4.	BALL	2	BRASS / HARD CHROME PLATE



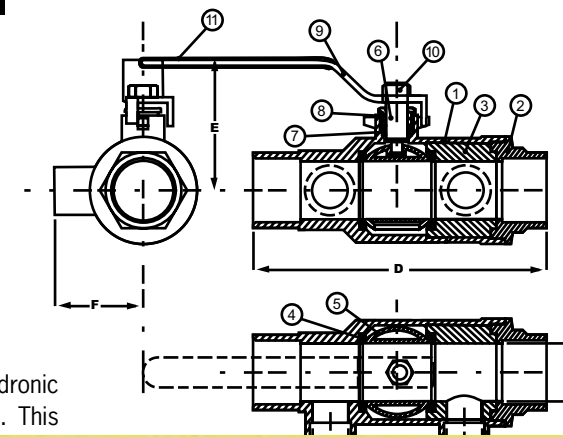
PRIMARY/SECONDARY PURGE TEE

PRIMARY/SECONDARY LOOP PURGE TEE FULL PORT BALL VALVES CXC PRIMARY AND SECONDARY LOOP (600WOG/150WSP)

CXC & CXC 58652-58654, 58662-58665

ITEM	SIZE	CTN/CS	A	B	C	D	E	F
58652	1 1/4 x 1/2	1/12	1 1/4	1/2	2 5/8	5 3/4	2 5/8	1 5/8
58653	1 1/4 x 3/4	1/12	1 1/4	3/4	2 7/8	6 5/16	2 5/8	1 13/16
58654	1 1/4 x 1	1/12	1 1/4	1	3 1/8	6 11/16	2 3/4	2
58655	1 1/4 x 1 1/4	1/12	1 1/4	1 1/4	3 1/4	7 7/16	2 5/8	1 7/8
58662	1 1/2 x 1/2	1/12	1 1/2	1/2	2 15/16	6 3/4	2 3/4	1 15/16
58663	1 1/2 x 3/4	1/12	1 1/2	3/4	3 1/8	6 13/16	2 3/4	2 1/16
58664	1 1/2 x 1	1/12	1 1/2	1	3 3/8	7 1/16	2 3/4	2 1/4
58665	1 1/2 x 1 1/4	1/12	1 1/2	1 1/4	3 5/8	7 1/2	2 5/8	2 1/4

No.	Description	Quantity	Material
1.	BODY	1	FORGED BRASS (ASTM B124-C37700)
2.	END CAP	1	FORGED BRASS (ASTM B283-C37700)
3.	SEAT RETAINER	1	BRASS (ASTM B124-C37700)
4.	SEATS	2	TEFLON [®] (PTFE)
5.	BALL	1	BRASS / HARD CHROME PLATE
6.	STEM	1	BRASS (ASTM B124-C37700)
7.	STEM SEAL	1	TEFLON [®] (PTFE)
8.	PACKING GLAND	1	BRASS (ASTM B124-C37700)
9.	HANDLE	1	C.P. STEEL
10.	HANDLE NUT	1	C.P. STEEL
11.	HANDLE JACKET	1	VINYL GRIP



The Primary/Secondary Loop Purge Tee is the best solution in hydronic systems when installing secondary loops off of the primary loop. This

GOODYEAR
RUBBER PRODUCTS INC.

Call Toll Free: **1-866-711-4673**
WebSales@GoodyearRubberProducts.com

**We Ship
World Wide**