



male threaded long balls	part number	weight (lbs.)	list price
2" Male Thrd/Long/Ball/Male	020 BMT2	3.10	40.55
3" Male Thrd/Long/Ball/Male	020 BMT3	6.10	62.25
4" Male Thrd/Long/Ball/Male	020 BMT4	10.60	109.80
6" Male Thrd/Long/Ball/Male	020 BMT6	21.15	202.86
8" Male Thrd/Long/Ball/Male	020 BMT8	37.60	388.19



male threaded short balls	part number	weight (lbs.)	list price
2" Male Thrd/Short/Ball/Male	022 BMT2	2.05	35.59
3" Male Thrd/Short/Ball/Male	022 BMT3	4.05	52.76
4" Male Thrd/Short/Ball/Male	022 BMT4	7.90	96.35
6" Male Thrd/Short/Ball/Male	022 BMT6	15.20	171.49
8" Male Thrd/Short/Ball/Male	022 BMT8	25.75	311.79



female threaded balls	part number	weight (lbs.)	list price
2" Female Thrd Ball/Male	025 BFTA2	3.05	49.95
3" Female Thrd Ball/Male	025 BFTA3	7.45	97.68
4" Female Thrd Ball/Male	025 BFTA4	12.50	143.31
6" Female Thrd Ball/Male	025 BFTA6	26.65	349.33
8" Female Thrd Ball/Male	025 BFTA8	49.70	599.24



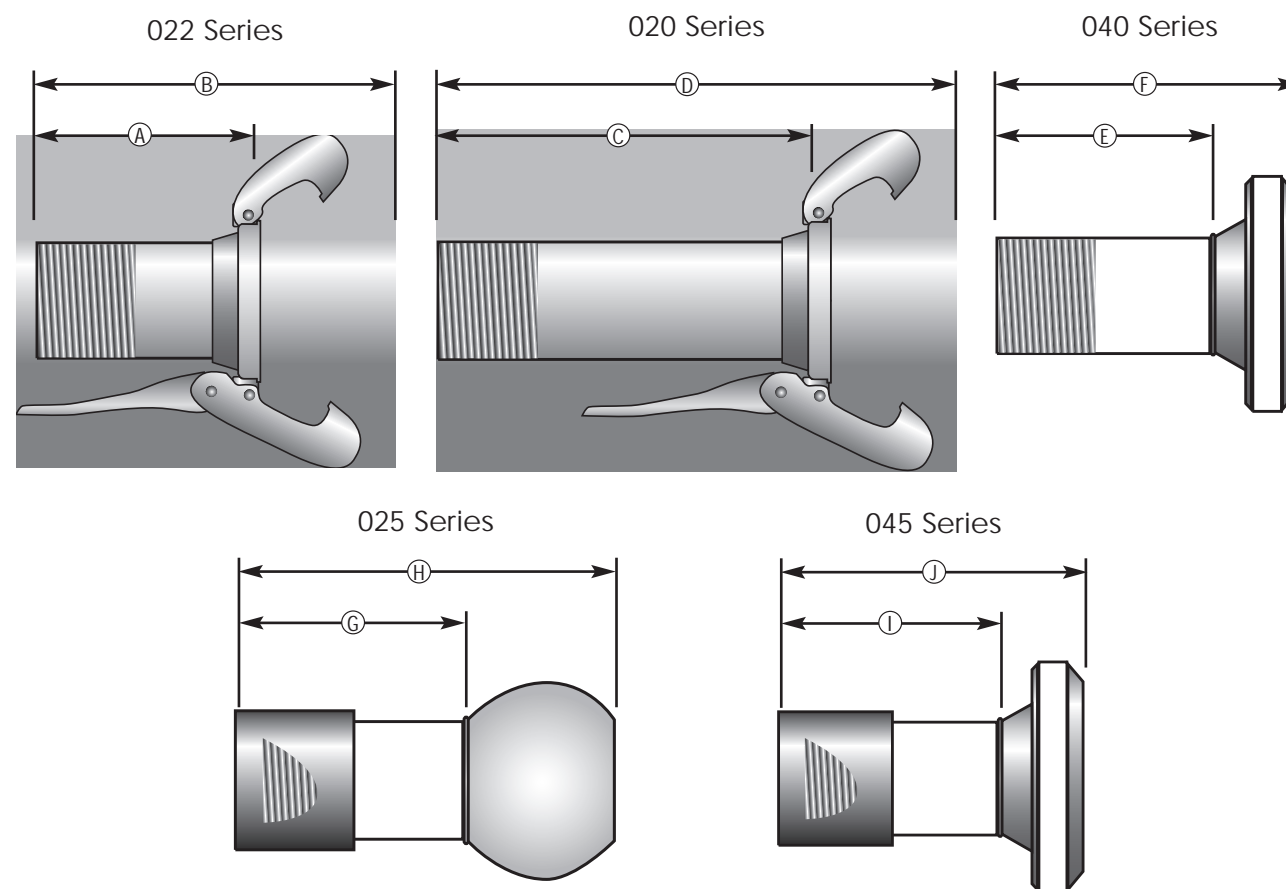
male threaded sockets	part number	weight (lbs.)	list price
2" Male Thrd Socket/Female	040 SMT2	0.95	19.72
3" Male Thrd Socket/Female	040 SMT3	1.60	26.60
4" Male Thrd Socket/Female	040 SMT4	3.50	54.12
6" Male Thrd Socket/Female	040 SMT6	6.95	94.05
8" Male Thrd Socket/Female	040 SMT8	13.60	184.82



female threaded sockets	part number	weight (lbs.)	list price
2" Female Thrd Skt/Female	045 SFTA2	2.00	34.08
3" Female Thrd Skt/Female	045 SFTA3	4.95	71.52
4" Female Thrd Skt/Female	045 SFTA4	8.05	101.08
6" Female Thrd Skt/Female	045 SFTA6	18.15	271.89
8" Female Thrd Skt/Female	045 SFTA8	37.55	472.27

Wil-loc NPT Threaded Fittings

vacuum rating 30 inches hg
 pressure rating 2 - 3" = 290 psi, 4 - 8" = 175 psi



npt mechanical specs.	A	B	C	D	E	F	G	H	I	J
2" 50mm x 50mm	2.76	4.92	5.51	7.67	2.76	3.98	4.35	6.50	4.35	5.50
3" 76mm x 76mm	2.76	5.59	6.69	9.53	2.76	4.13	4.62	7.50	4.62	6.00
4" 108mm x 100mm	2.76	7.00	6.69	10.94	2.76	4.92	5.42	9.63	5.42	7.50
6" 159mm x 150mm	3.94	8.03	9.45	13.54	3.94	5.91	6.89	11.00	6.89	8.87
8" 194mm x 200mm	3.94	9.17	9.06	14.29	3.94	7.17	8.22	13.50	8.22	11.50

Specifications to 1/8th of an inch • Specifications Subject to Change

Tech Tip

Wil-loc offers two different threaded shanks for the male connections. The 020 Series allows the locking ring lever to close above the male NPT threads. The 022 Series locking lever closes below