

Galvanized Elbows specifications and usage

Prices and discount structures subject to change without notice.



90° elbow	part number	weight (lbs.)	list price
2" 90 Degree Elbow	070 E2-90	3.05	50.34
3" 90 Degree Elbow	070 E3-90	5.35	69.75
4" 90 Degree Elbow	070 E4-90	11.00	115.67
6" 90 Degree Elbow	070 E6-90	21.00	219.35
8" 90 Degree Elbow	070 E8-90	33.00	394.31



60° elbow	part number	weight (lbs.)	list price
2" 60 Degree Elbow	075 E2-60	3.00	50.34
3" 60 Degree Elbow	075 E3-60	4.05	69.75
4" 60 Degree Elbow	075 E4-60	10.05	115.67
6" 60 Degree Elbow	075 E6-60	20.00	219.35
8" 60 Degree Elbow	075 E8-60	26.00	394.31



45° elbow	part number	weight (lbs.)	list price
2" 45 Degree Elbow	080 E2-45	2.05	47.16
3" 45 Degree Elbow	080 E3-45	4.00	65.22
4" 45 Degree Elbow	080 E4-45	11.00	107.26
6" 45 Degree Elbow	080 E6-45	19.05	197.71
8" 45 Degree Elbow	080 E8-45	29.75	345.51



30° elbow	part number	weight (lbs.)	list price
2" 30 Degree Elbow	085 E2-30	3.00	47.16
3" 30 Degree Elbow	085 E3-30	3.75	65.22
4" 30 Degree Elbow	085 E4-30	10.00	107.26
6" 30 Degree Elbow	085 E6-30	17.75	197.71
8" 30 Degree Elbow	085 E8-30	30.00	345.51



a-style 90° elbow	part number	weight (lbs.)	list price
10" 90 Degree Elbow	086 E10-90	50.00	456.00
12" 90 Degree Elbow*	086 E12-90	81.00	724.52

*12" sockets come with a closing bar

a-style 45° elbow	part number	weight (lbs.)	list price
10" 45 Degree Elbow	086 E10-45	44.00	366.85
12" 45 Degree Elbow*	086 E12-45	71.75	621.17

*12" sockets come with a closing bar

45° a-style elbow

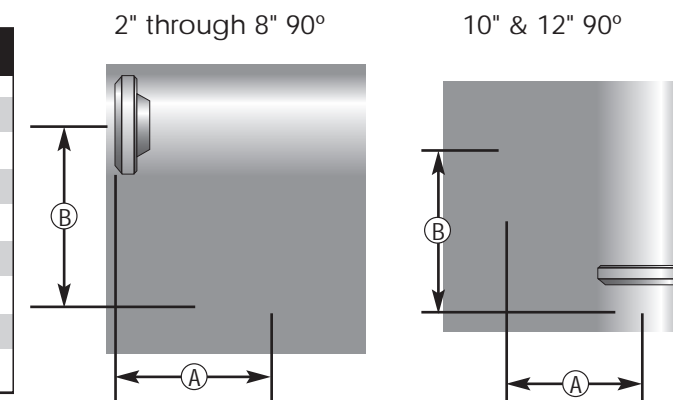
Wil-loc Elbows

vacuum 30 inches hg

pressure rating 2 - 3" = 290 psi
 4 - 8" = 175 psi
 10 - 12" = 88 psi

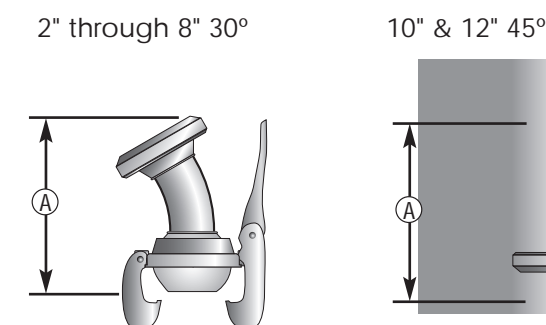
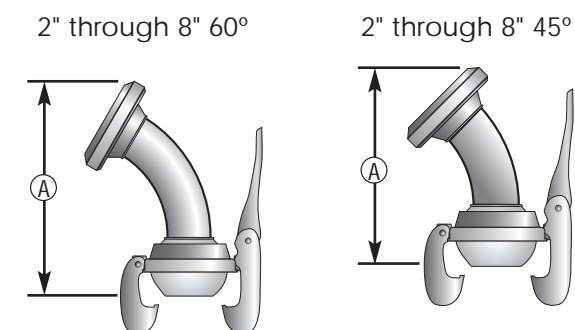
90° elbow specs.	A	B
2" 90 Degree Elbow	7.91	8.86
3" 90 Degree Elbow	9.33	10.75
4" 90 Degree Elbow	12.95	14.84
6" 90 Degree Elbow	18.58	20.59
8" 90 Degree Elbow	16.38	18.39
10" 90 Degree Elbow	17.72	20.12
12" 90 Degree Elbow	18.31	21.73

Specifications to 1/8th of an inch & Subject to Change



30°, 45° & 60° specs.	30°	45°	60°
2" Elbows	9.07	8.07	6.69
3" Elbows	11.02	9.84	8.27
4" Elbows	15.75	14.17	9.45
6" Elbows	20.47	17.72	14.37
8" Elbows	19.69	17.52	14.76
10" Elbows	22.64	20.47	17.72
12" Elbows	24.80	22.83	20.08

Specifications to 1/8th of an inch & Subject to Change



Tech Tip

When connecting ball and socket coupled hoses and fittings to a pump, position the locking jaws of the lever locking ring as close to 12 o'clock and 6 o'clock (in other words, top and bottom) as