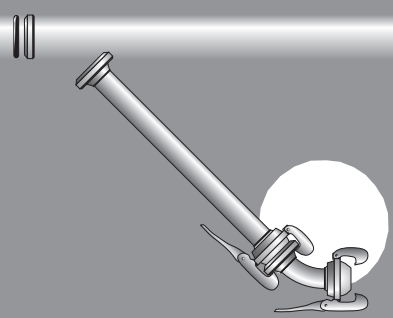




B-style coupling shown.



B-style coupling shown.



increasers	part number	weight (lbs.)	list price
2" x 3" Increaser	150 IN2-3M	4.50	62.43
2" x 4" Increaser	150 IN2-4M	6.85	126.68
3" x 4" Increaser	150 IN3-4M	7.75	129.73
3" x 6" Increaser	150 IN3-6M	14.05	200.83
4" x 6" Increaser	150 IN4-6M	15.00	168.84
4" x 8" Increaser	150 IN4-8M	21.75	328.33
6" x 8" Increaser	150 IN6-8M	24.40	298.96

a-style increasers	part number	weight (lbs.)	list price
8" x 10" Increaser	151 IN8-10M	50.00	366.02
8" x 12" Increaser*	151 IN8-12M	74.00	445.09
10" x 12" Increaser*	151 IN10-12M	98.50	565.93

*12" sockets come with a closing bar

reducers	part number	weight (lbs.)	list price
3" x 2" Reducer	160 R3-2M	2.65	53.38
4" x 3" Reducer	160 R4-3M	5.65	123.03
6" x 2" Reducer	160 R6-2M	6.60	140.20
6" x 3" Reducer	160 R6-3M	7.35	152.83
6" x 4" Reducer	160 R6-4M	10.95	136.40
8" x 2" Reducer	160 R8-2M	9.40	215.04
8" x 3" Reducer	160 R8-3M	11.00	219.07
8" x 4" Reducer	160 R8-4M	15.65	246.24
8" x 6" Reducer	160 R8-6M	21.85	242.23

a-style reducers	part number	weight (lbs.)	list price
10" x 8" Reducer	161 R10-8M	71.30	375.96
12" x 8" Reducer*	161 R12-8M	102.50	652.00
12" x 10" Reducer*	161 R12-10M	160.00	580.06

*12" sockets come with a closing bar

s-bends	part number	weight (lbs.)	list price
4" Modular S Bend	162 SBMA4	68.00	372.72
6" Modular S Bend	162 SBMA6	81.00	637.68
8" Modular S Bend	162 SBMA8	125.00	1,015.76

Wil-loc Reducers & Increasesers

vacuum 30 inches hg
 pressure rating 2 - 3" = 290 psi
 4 - 8" = 175 psi
 10 - 12" = 88 psi

increaser specs.	A
2" x 3" Increaser	9.84
3" x 4" Increaser	11.42
4" x 6" Increaser	12.00
6" x 8" Increaser	16.34
8" x 10" Increaser	21.75
8" x 12" Increaser	23.50
10" x 12" Increaser	24.75

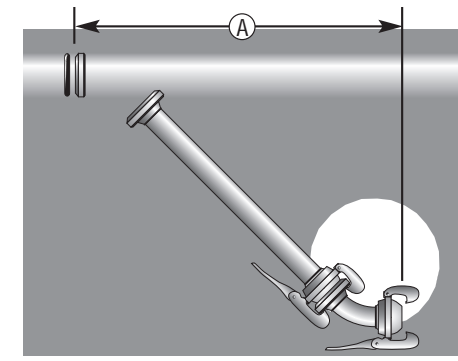
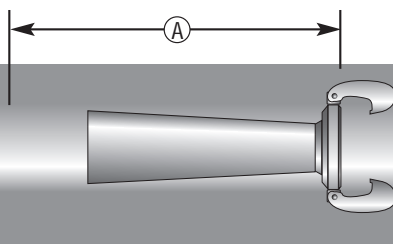
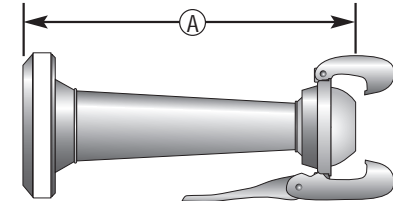
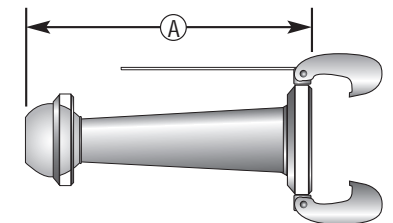
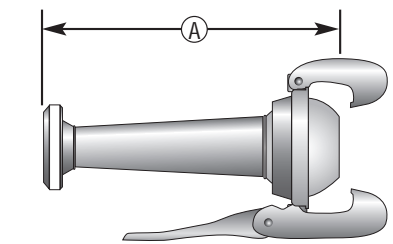
Specifications to 1/8th of an inch. Subject to change.

reducer specs.	A
3" x 2" Reducer	9.25
4" x 3" Reducer	11.23
6" x 2" Reducer	9.84
6" x 3" Reducer	11.02
6" x 4" Reducer	12.00
8" x 2" Reducer	13.00
8" x 3" Reducer	13.00
8" x 4" Reducer	17.32
8" x 6" Reducer	16.54
10" x 8" Reducer	22.50
12" x 8" Reducer	23.00
12" x 10" Reducer	24.00

Specifications to 1/8th of an inch. Subject to change.

reducer specs.	A
4" S - Bends	61.00
6" S - Bends	70.00
8" S - Bends	72.00

Specifications to 1/8th of an inch. Subject to change.



Tech Tip

Wil-loc Reducers and Increasesers are manufactured with a cone-shaped pipe, which allows for less flow restriction and smoother transition from one size to another.