

## Galvanized T's &amp; Y's specifications and usage

Prices and discount structures subject to change without notice.



T's with male connection	part number	weight (lbs.)	list price
2" Tee Standard / M. Conn.	060 T2M	5.00	98.21
3" Tee Standard / M. Conn.	060 T3M	6.00	146.13
4" Tee Standard / M. Conn.	060 T4M	22.00	234.05
6" Tee Standard / M. Conn.	060 T6M	35.00	415.14
8" Tee Standard / M. Conn.	060 T8M	62.00	687.26
10" Tee Standard / M. Conn.	061 T10M	100.00	655.08
12" Tee Standard / M. Conn.*	061 T12M	135.00	1,223.05

\*12" T's come with a closing bar.

T's with female connection	part number	weight (lbs.)	list price
2" T Socket Connection	050 T2F	4.00	80.54
3" T Socket Connection	050 T3F	7.00	115.26
4" T Socket Connection	050 T4F	14.00	189.72
6" T Socket Connection	050 T6F	31.00	334.67
8" T Socket Connection	050 T8F	48.00	558.36
10" T Socket Connection	054 T10F	75.00	655.14
12" T Socket Connection*	054 T12F	125.00	1,268.18

\*12" T's come with a closing bar.

inline T's w/ male connect	part number	weight (lbs.)	list price
2" Inline T/M. Connection	051 LT2M	4.00	80.54
3" Inline T/M. Connection	051 LT3M	7.00	115.26
4" Inline T/M. Connection	051 LT4M	14.00	189.72
6" Inline T/M. Connection	051 LT6M	30.00	334.67
8" Inline T/M. Connection	051 LT8M	43.00	558.36
10" Inline T/M. Connection	052 LT10M	75.00	655.14
12" Inline T/M. Connection*	052 LT12M	125.00	1,268.18

\*12" T's come with a closing bar.

double female Y's	part number	weight (lbs.)	list price
4" Y Double Female/Male	064 YM4	14.00	193.44
6" Y Double Female/Male	064 YM6	35.00	326.49
8" Y Double Female/Male	064 YM8	49.00	754.03
10" Y Double Female/Male	065 YM10	117.00	815.69
12" Y Double Female/Male*	065 YM12	204.00	1,387.44

\*12" Y sockets come with a closing bar.

increasing Y's	part number	weight (lbs.)	list price
2 - 4" x 6" Y Increaser Male	066 YI4-6	43.00	321.02

## Wil-loc T's

vacuum 30 inches hg  
 pressure rating 2 - 3" = 290 psi  
 4 - 8" = 175 psi  
 10 - 12" = 88 psi

standard T specs.	A	B	C
2" T Standard Male	14.02	7.09	2.36
3" T Standard Male	16.14	9.25	2.76
4" T Standard Male	20.32	11.42	2.76
6" T Standard Male	22.63	12.00	3.15
8" T Standard Male	27.68	13.00	3.94
10" T Standard Male	33.50	17.75	6.00
12" T Standard Male	37.50	20.50	6.00

Specifications to 1/8th of an inch. Subject to change.

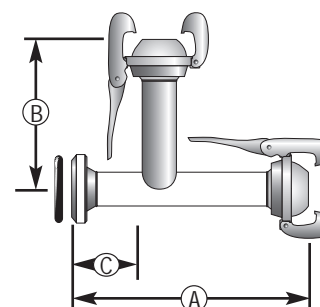
T socket specs.	A	B	C
2" T Socket	14.02	4.13	2.36
3" T Socket	16.14	4.53	2.76
4" T Socket	30.32	5.71	2.76
6" T Socket	22.63	7.09	3.15
8" T Socket	27.68	9.25	3.94
10" T Socket	33.25	15.50	6.00
12" T Socket	37.50	17.25	6.00

Specifications to 1/8th of an inch. Subject to change.

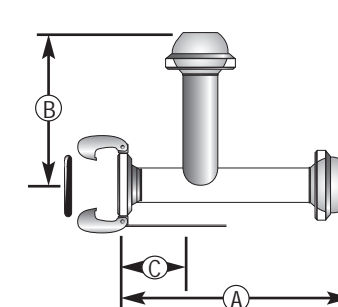
T male specs.	A	B	C
2" T Inline Male	13.03	7.09	2.36
3" T Inline Male	14.33	9.25	2.76
4" T Inline Male	13.78	11.42	2.76
6" T Inline Male	20.63	12.00	3.15
8" T Inline Male	25.67	13.00	3.94
10" T Inline Male	30.75	18.00	6.00
12" T Inline Male	34.25	20.50	6.00

Specifications to 1/8th of an inch. Subject to change.

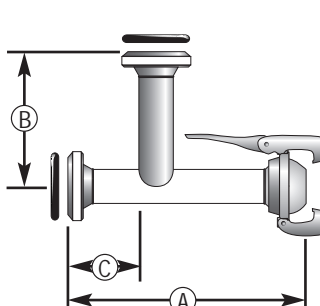
2" through 8" Standard T



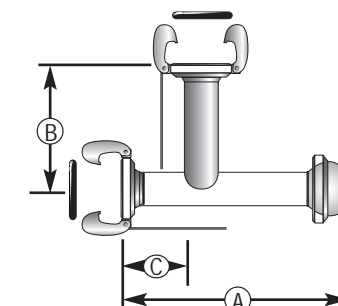
10" &amp; 12" Standard T



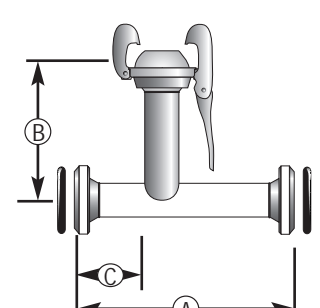
2" through 8" Female T



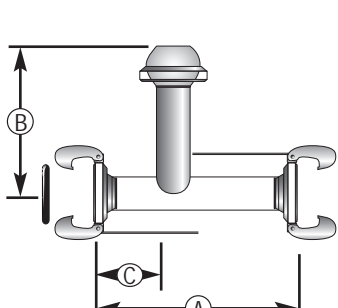
10" &amp; 12" Female T



2" through 8" Inline T



10" &amp; 12" Inline T



## Tech Tip

When setting up a sewer by-pass pumping application, T or Y connections can be used to tie in a back-up pump's suction and discharge lines to the primary system.