



B-style double ball shown.



end plugs	part number	weight (lbs.)	list price
2" End Plug Ball/Male	090 EP2	1.35	24.73
3" End Plug Ball/Male	090 EP3	2.35	39.62
4" End Plug Ball/Male	090 EP4	4.45	50.09
6" End Plug Ball/Male	090 EP6	8.90	88.60
8" End Plug Ball/Male	090 EP8	11.65	121.15

a-style end plugs	part number	weight (lbs.)	list price
10" End Plug Ball/Male	091 EP10	25.00	106.03
12" End Plug Ball/Male	091 EP12	44.00	253.95

end caps	part number	weight (lbs.)	list price
2" End Cap Socket/Female	100 EC2	0.40	8.37
3" End Cap Socket/Female	100 EC3	0.80	9.24
4" End Cap Socket/Female	100 EC4	1.95	19.10
6" End Cap Socket/Female	100 EC6	3.90	37.57
8" End Cap Socket/Female	100 EC8	7.80	75.51

a-style end caps	part number	weight (lbs.)	list price
10" End Cap Socket/Female	101 EC10	16.00	132.43
12" End Cap Socket/Female	101 EC12	36.00	264.94

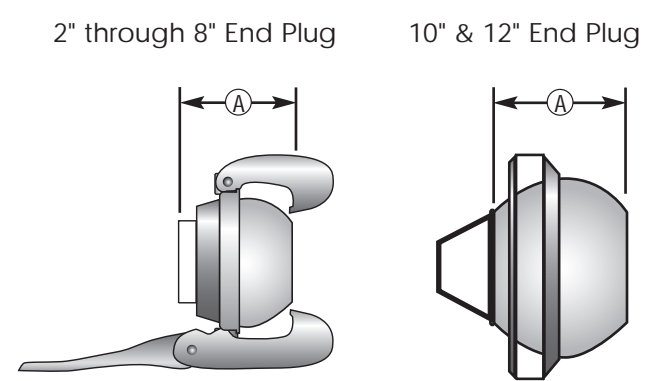
\*12" end caps come with a closing bar

double balls	part number	weight (lbs.)	list price
2" Double Ball/Male	110 DB2	5.00	53.69
3" Double Ball/Male	110 DB3	6.80	85.43
4" Double Ball/Male	110 DB4	13.50	147.48
6" Double Ball/Male	110 DB6	26.45	265.04
8" Double Ball/Male	110 DB8	41.15	466.97
10" Double Ball/Male	111 DB10	54.00	354.08
12" Double Ball/Male	111 DB12	96.00	627.43

double sockets	part number	weight (lbs.)	list price
2" Double Socket/Female	120 DS2	0.90	19.46
3" Double Socket/Female	120 DS3	2.00	28.95
4" Double Socket/Female	120 DS4	4.50	54.68

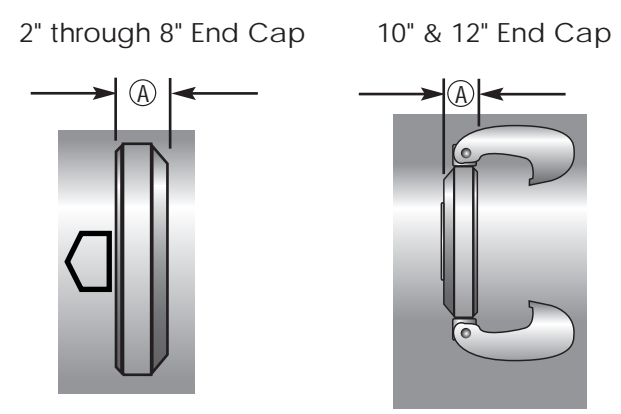
end plug specs.	A
2" End Plug Ball/Male	2.17
3" End Plug Ball/Male	2.87
4" End Plug Ball/Male	4.21
6" End Plug Ball/Male	4.06
8" End Plug Ball/Male	5.00
10" End Plug Ball/Male	6.73
12" End Plug Ball/Male	8.35

Specifications to 1/8th of an inch. Subject to change.



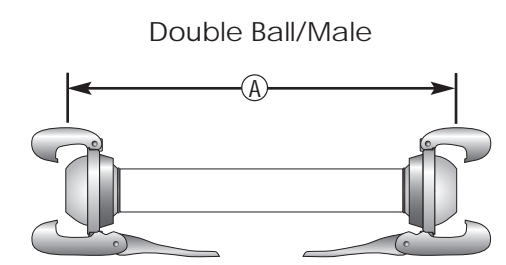
end cap specs.	A
2" End Cap Socket Female	3.27
3" End Cap Socket Female	4.57
4" End Cap Socket Female	6.50
6" End Cap Socket Female	8.31
8" End Cap Socket Female	10.51
10" End Cap Socket Female	9.72
12" End Cap Socket Female	12.20

Specifications to 1/8th of an inch. Subject to change.



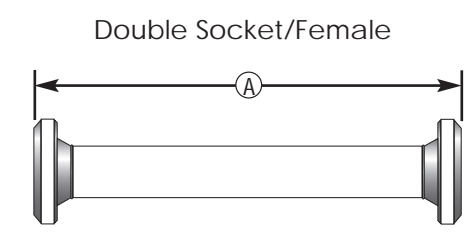
double ball specs.	A
2" Double Ball/Male	10.04
3" Double Ball/Male	11.42
4" Double Ball/Male	16.73
6" Double Ball/Male	15.75
8" Double Ball/Male	18.11

Specifications to 1/8th of an inch. Subject to change.



double socket specs.	A
2" Double Socket/Female	4.72
3" Double Socket/Female	4.92
4" Double Socket/Female	6.50
6" Double Socket/Female	7.09
8" Double Socket/Female	10.24

Specifications to 1/8th of an inch. Subject to change.



**Tech Tip**

End caps and plugs may be used for several purposes, such as closing off the end of a pipeline, capping unused branches on T's and Y's, vacuum/pressure testing of pumps or pipe, or capping